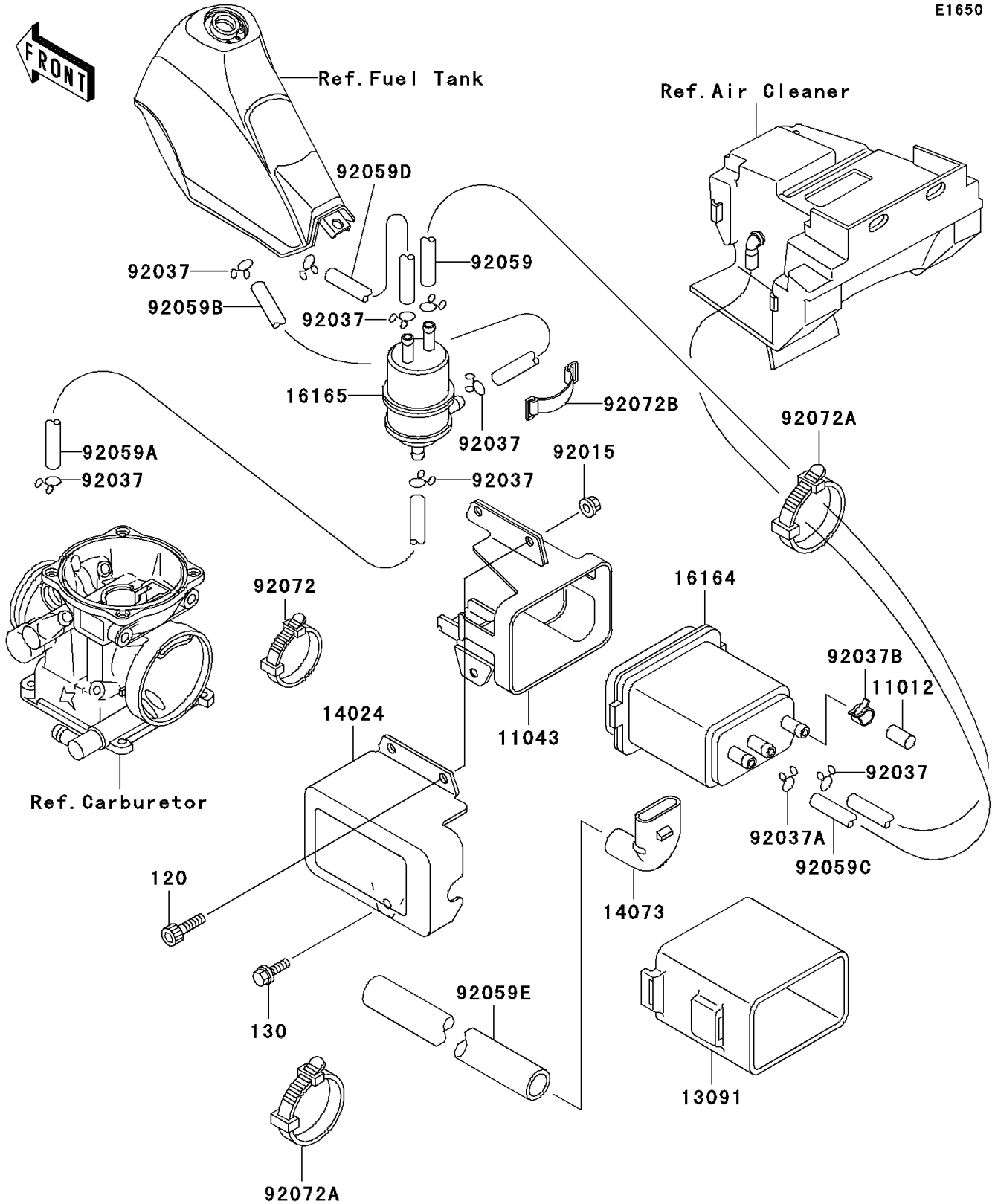


2000 KLR250

PARTS DIAGRAM

Fuel Evaporative System

E1650



2000 KLR250

PARTS LIST

Fuel Evaporative System

Kawasaki

Let the Good Times Roll®

ITEM NAME

PART NUMBER

QUANTITY
