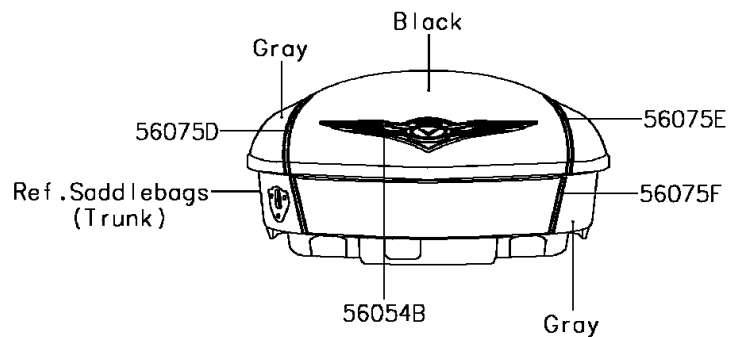
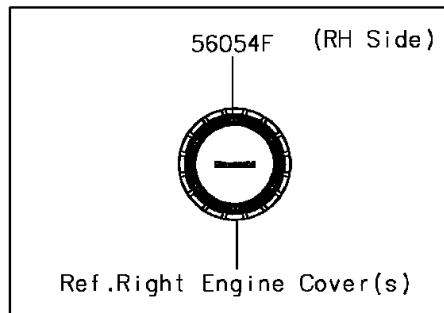
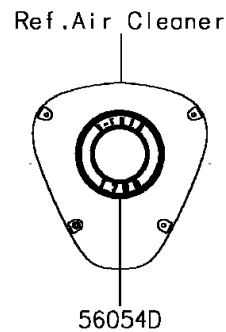
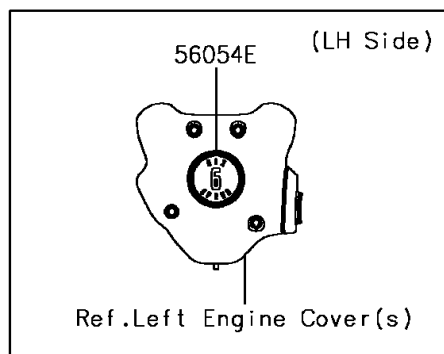
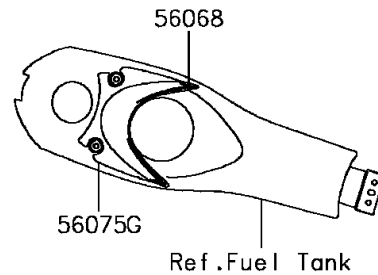
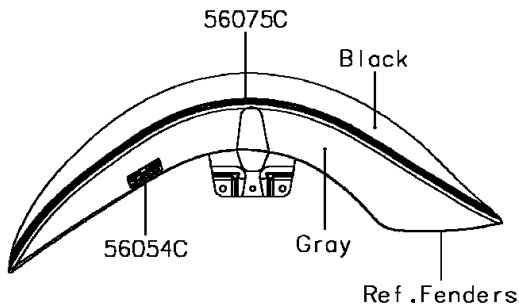
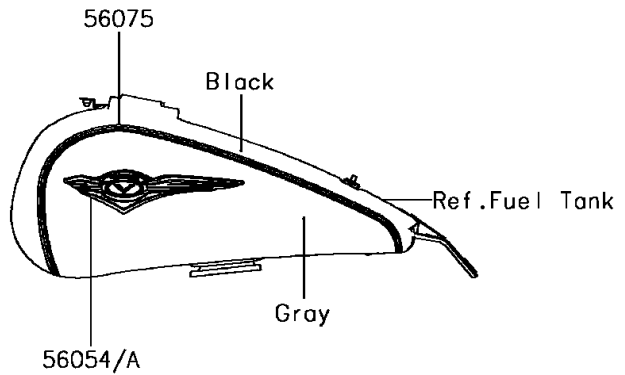
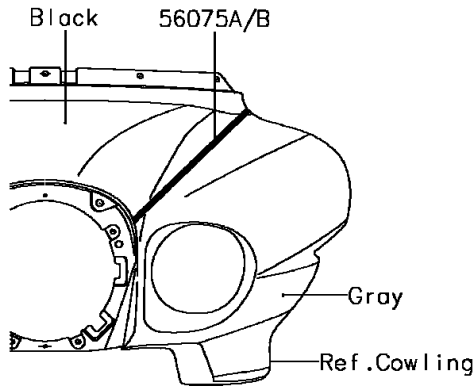


2015 Vulcan 1700 Voyager ABS

PARTS DIAGRAM

Decals(Gray/Black)(BFF)

F2861D



2015 Vulcan 1700 Voyager ABS

PARTS LIST

Decals(Gray/Black)(BFF)

ITEM NAME

PART NUMBER

QUANTITY
