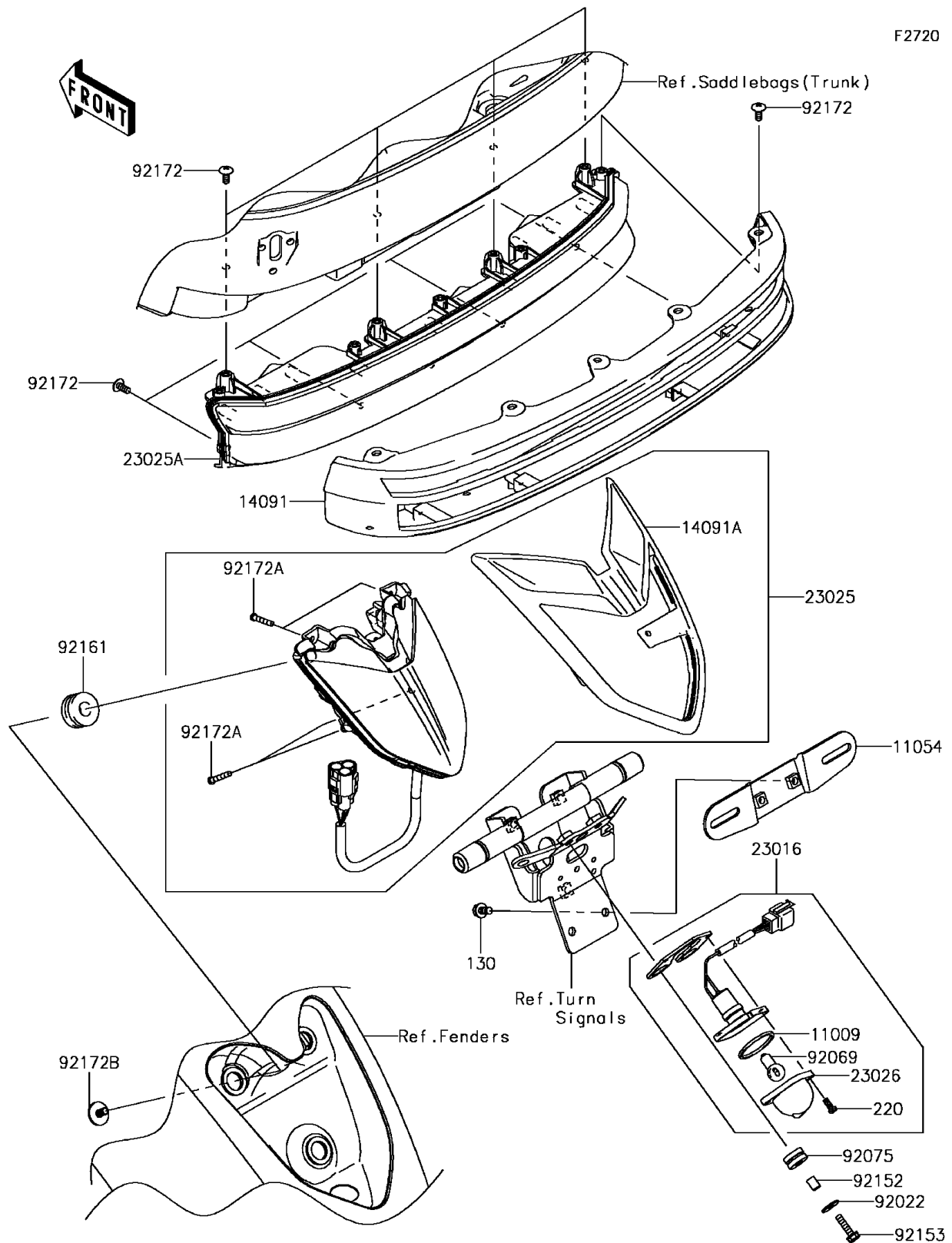


# 2015 Vulcan 1700 Voyager ABS

## PARTS DIAGRAM

### Taillight(s)



# 2015 Vulcan 1700 Voyager ABS

## PARTS LIST

Taillight(s)

ITEM NAME	PART NUMBER	QUANTITY
-----------	-------------	----------

---