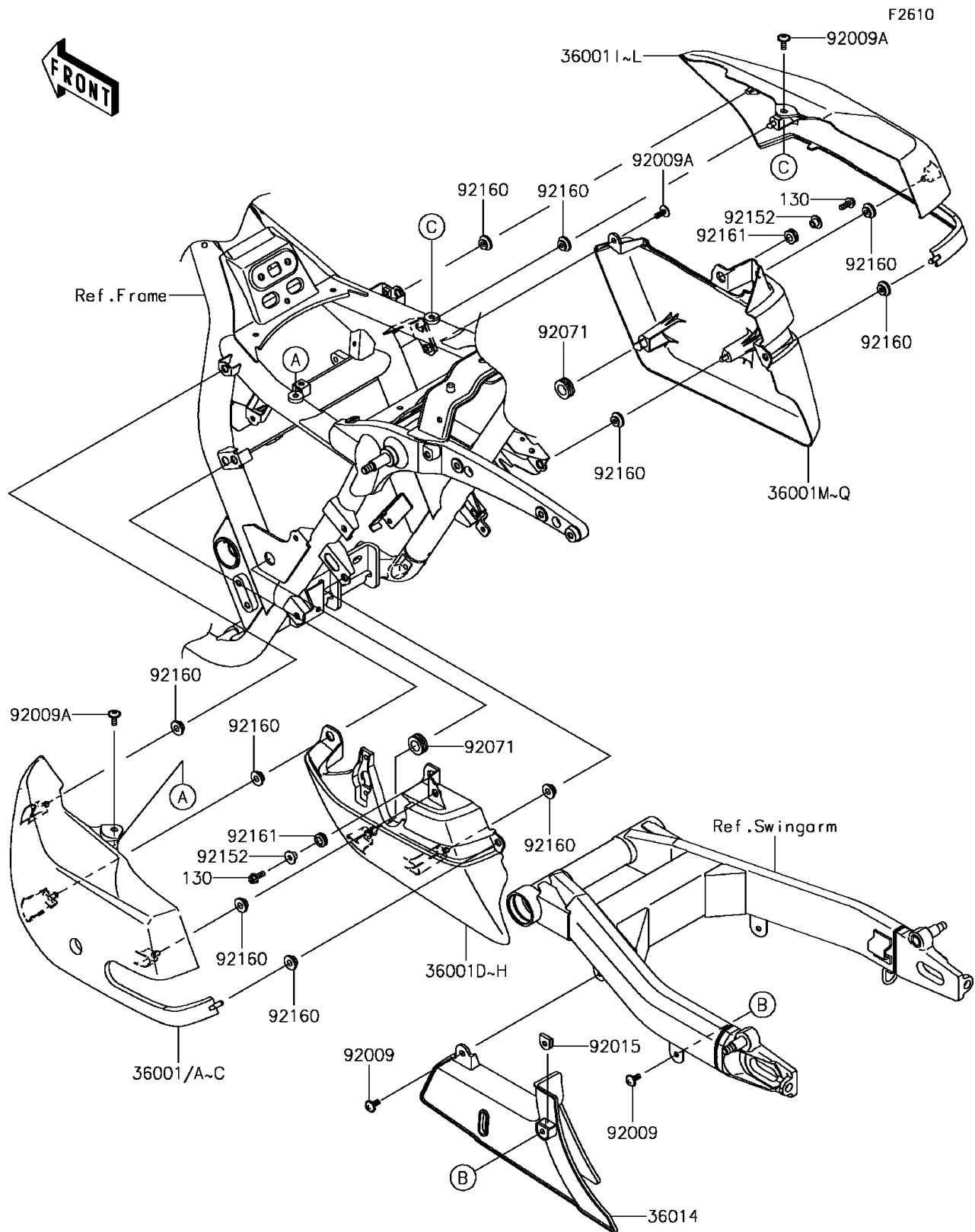


# 2016 VULCAN® 1700 VOYAGER® ABS

## PARTS DIAGRAM

### Side Covers/Chain Cover



# 2016 VULCAN® 1700 VOYAGER® ABS

**Kawasaki**  
Let the Good Times Roll®

## PARTS LIST

Side Covers/Chain Cover

**ITEM NAME**

**PART NUMBER**

**QUANTITY**

---