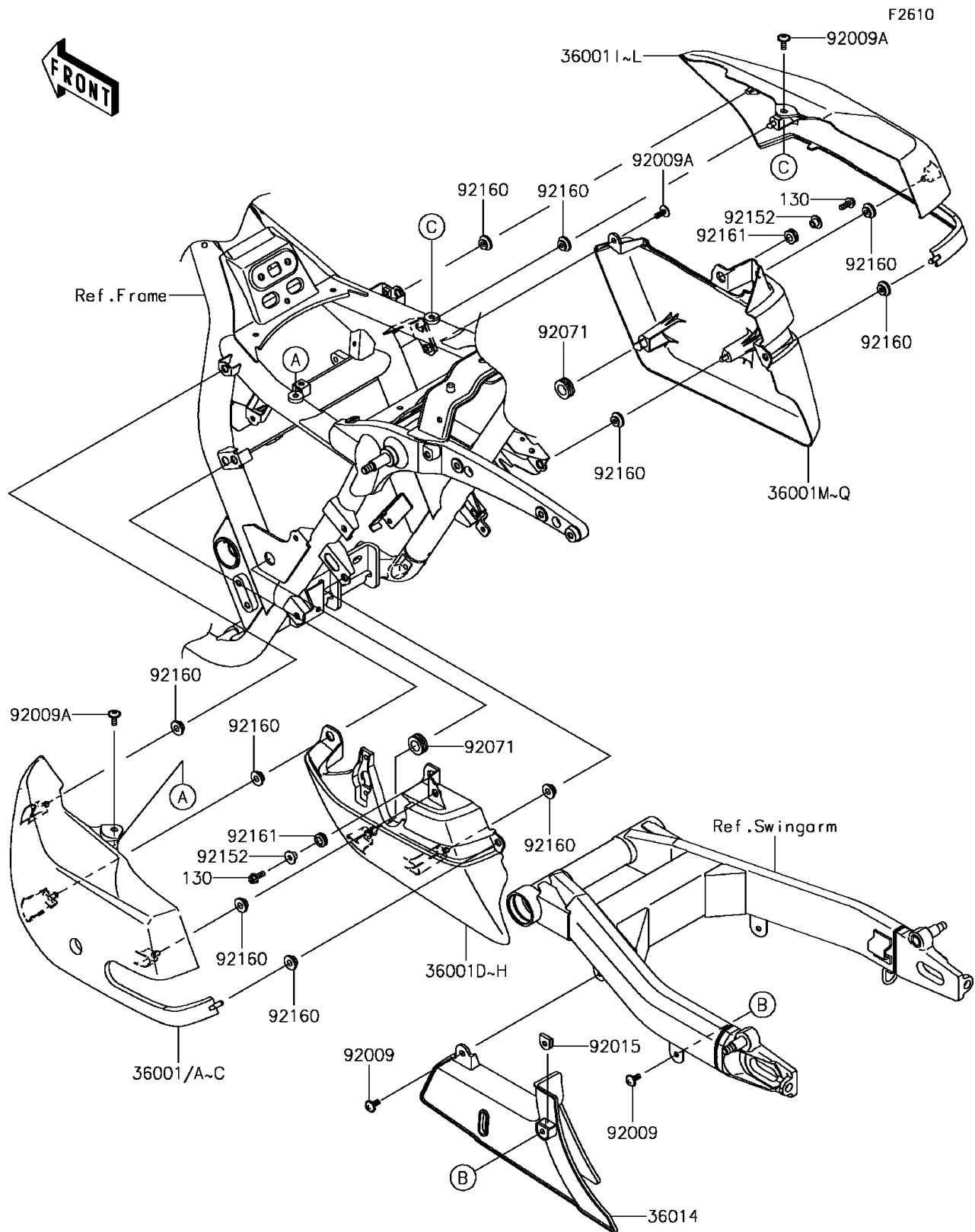


# 2015 Vulcan 1700 Voyager ABS

## PARTS DIAGRAM

### Side Covers/Chain Cover



# 2015 Vulcan 1700 Voyager ABS

## PARTS LIST

### Side Covers/Chain Cover

ITEM NAME	PART NUMBER	QUANTITY
-----------	-------------	----------

---