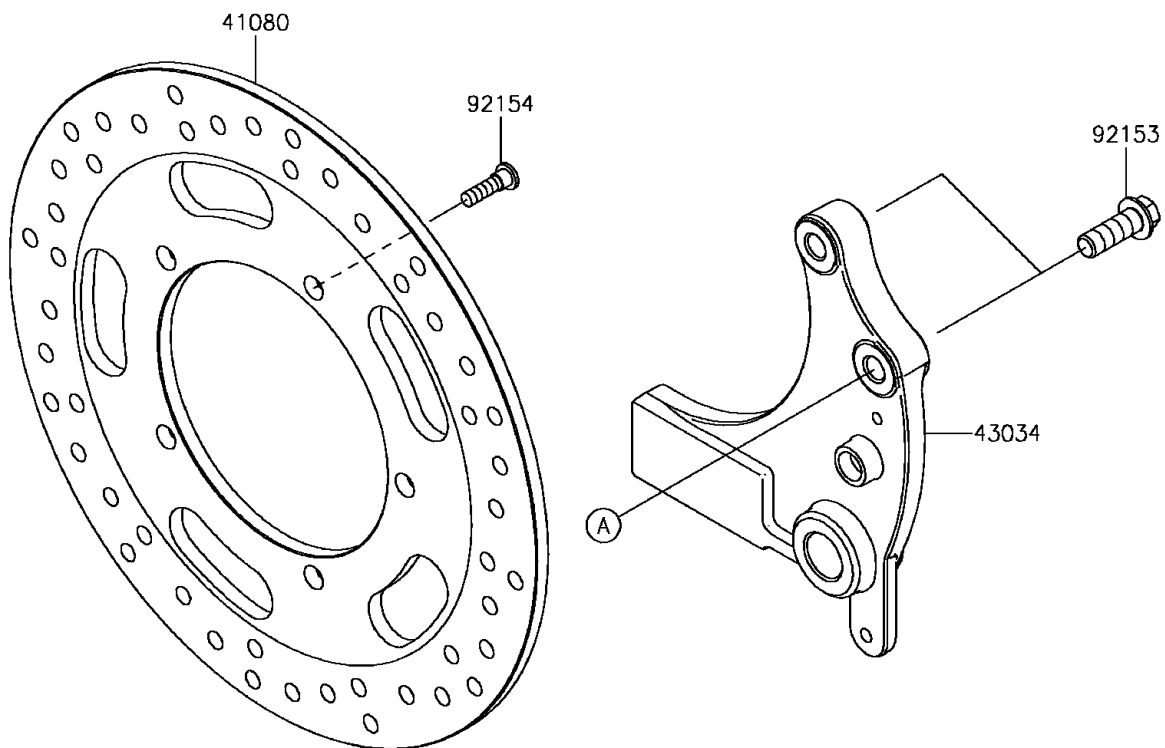
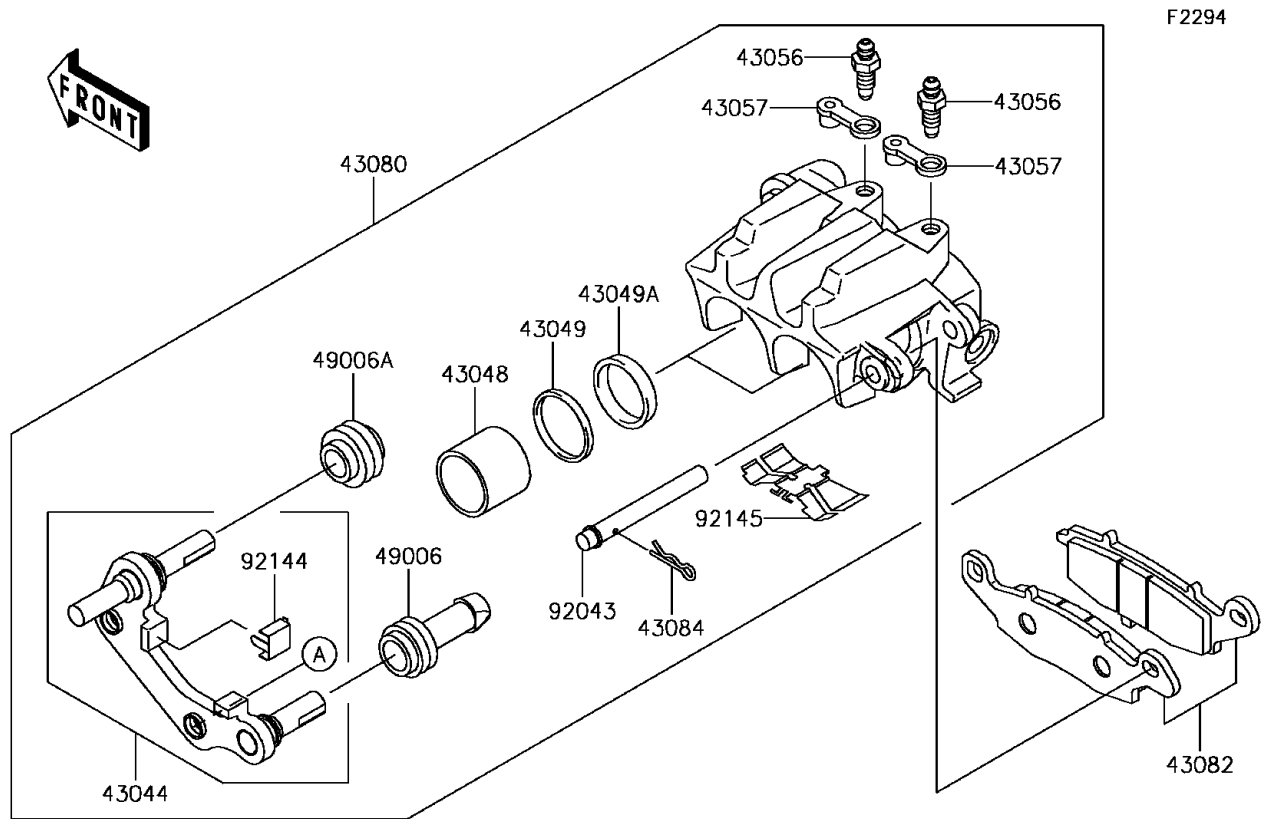


# 2016 VULCAN® 1700 VOYAGER® ABS

## PARTS DIAGRAM

### Rear Brake



# 2016 VULCAN® 1700 VOYAGER® ABS

**Kawasaki**  
Let the Good Times Roll®

## PARTS LIST

### Rear Brake

ITEM NAME	PART NUMBER	QUANTITY
-----------	-------------	----------

---