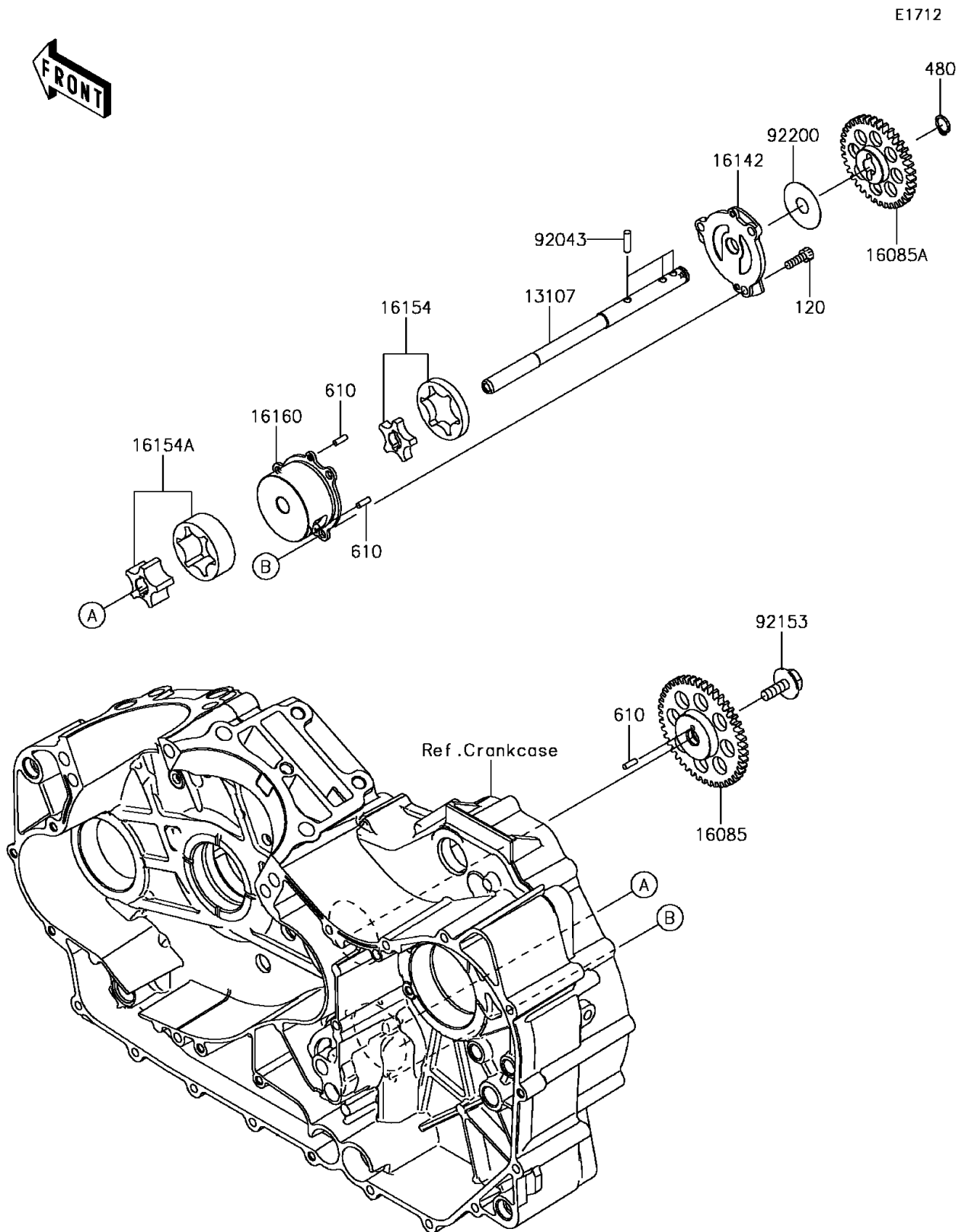


# 2015 Vulcan 1700 Voyager ABS

## PARTS DIAGRAM

### Oil Pump



# 2015 Vulcan 1700 Voyager ABS

## PARTS LIST

Oil Pump

**ITEM NAME**

**PART NUMBER**

**QUANTITY**

---