

2016 VULCAN® 1700 VOYAGER® ABS

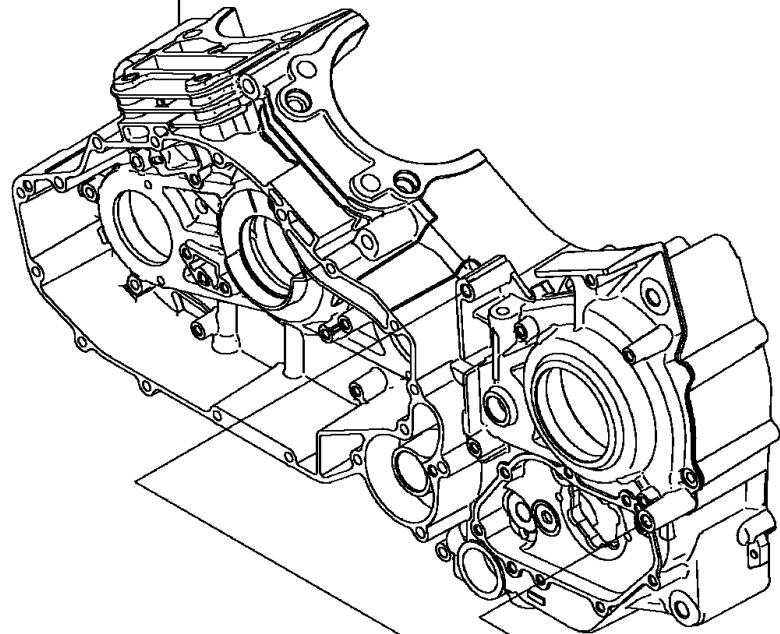
PARTS DIAGRAM

Chain Cover



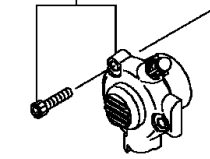
Ref .Crankcase

E1433



Ref .Clutch

92043



120

14091

49048

53044

92043

120A

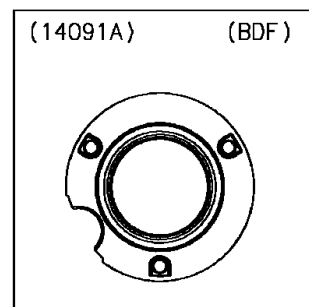
14091A

92153

120A

120

92153



2016 VULCAN® 1700 VOYAGER® ABS

Kawasaki
Let the Good Times Roll®

PARTS LIST

Chain Cover

ITEM NAME	PART NUMBER	QUANTITY
-----------	-------------	----------
