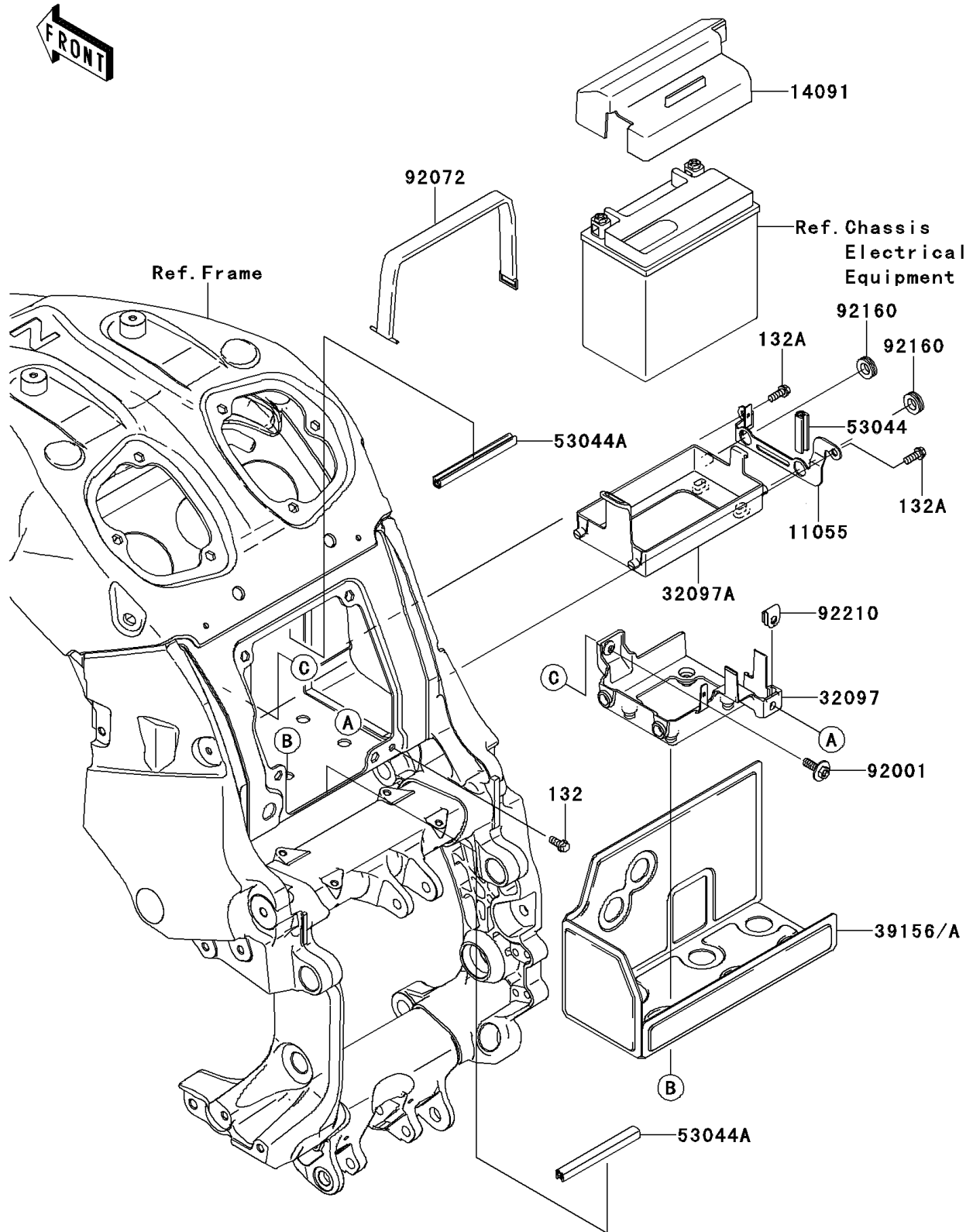


2008 Concours™ 14

PARTS DIAGRAM

Battery Case

F2132



2008 Concours™ 14

PARTS LIST

Battery Case

ITEM NAME

PART NUMBER

QUANTITY
