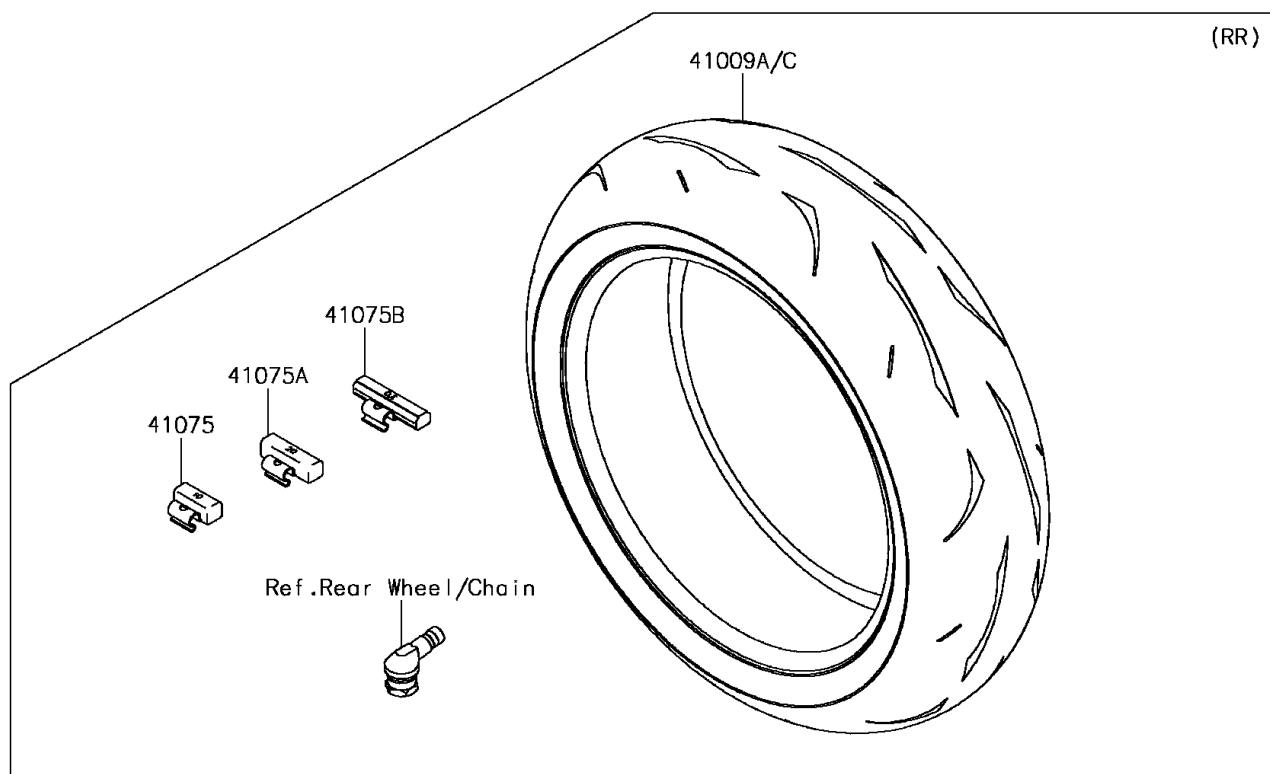
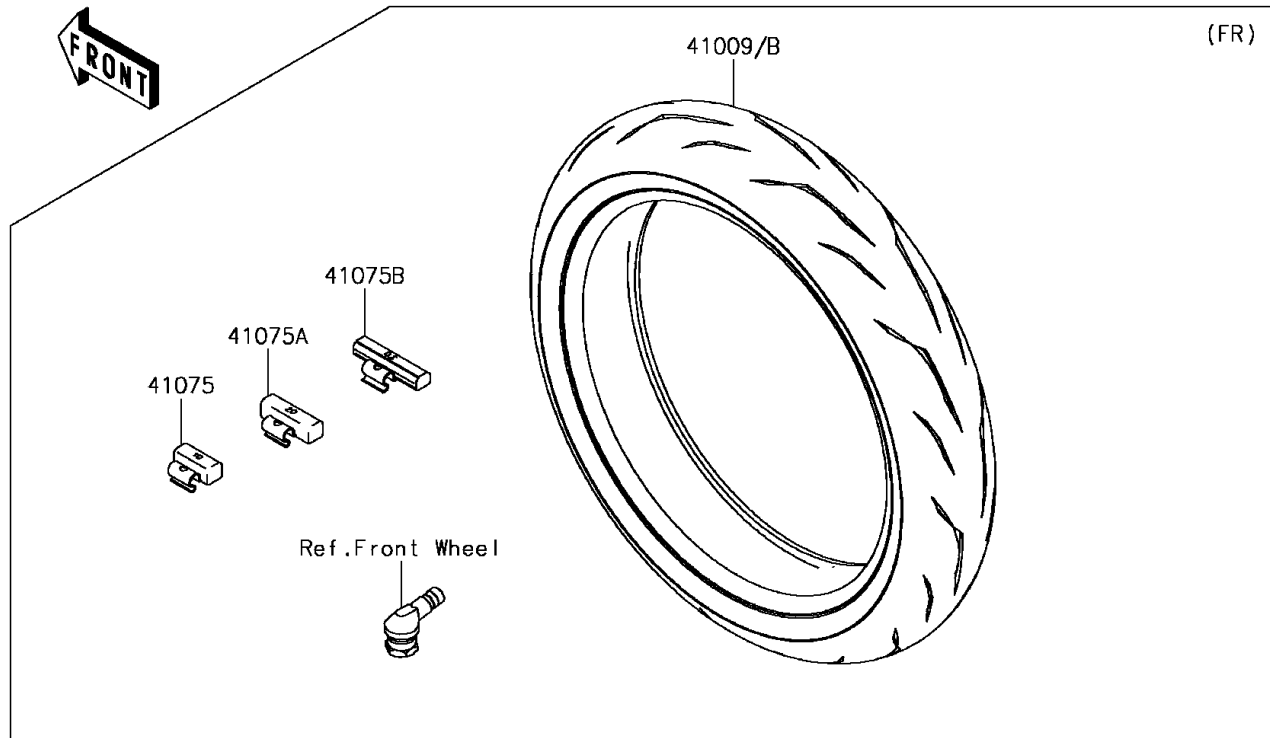


2016 Ninja ZX-10R KRT Edition

PARTS DIAGRAM

Tires

F2210



2016 Ninja ZX-10R KRT Edition

PARTS LIST

Tires

ITEM NAME	PART NUMBER	QUANTITY
-----------	-------------	----------
