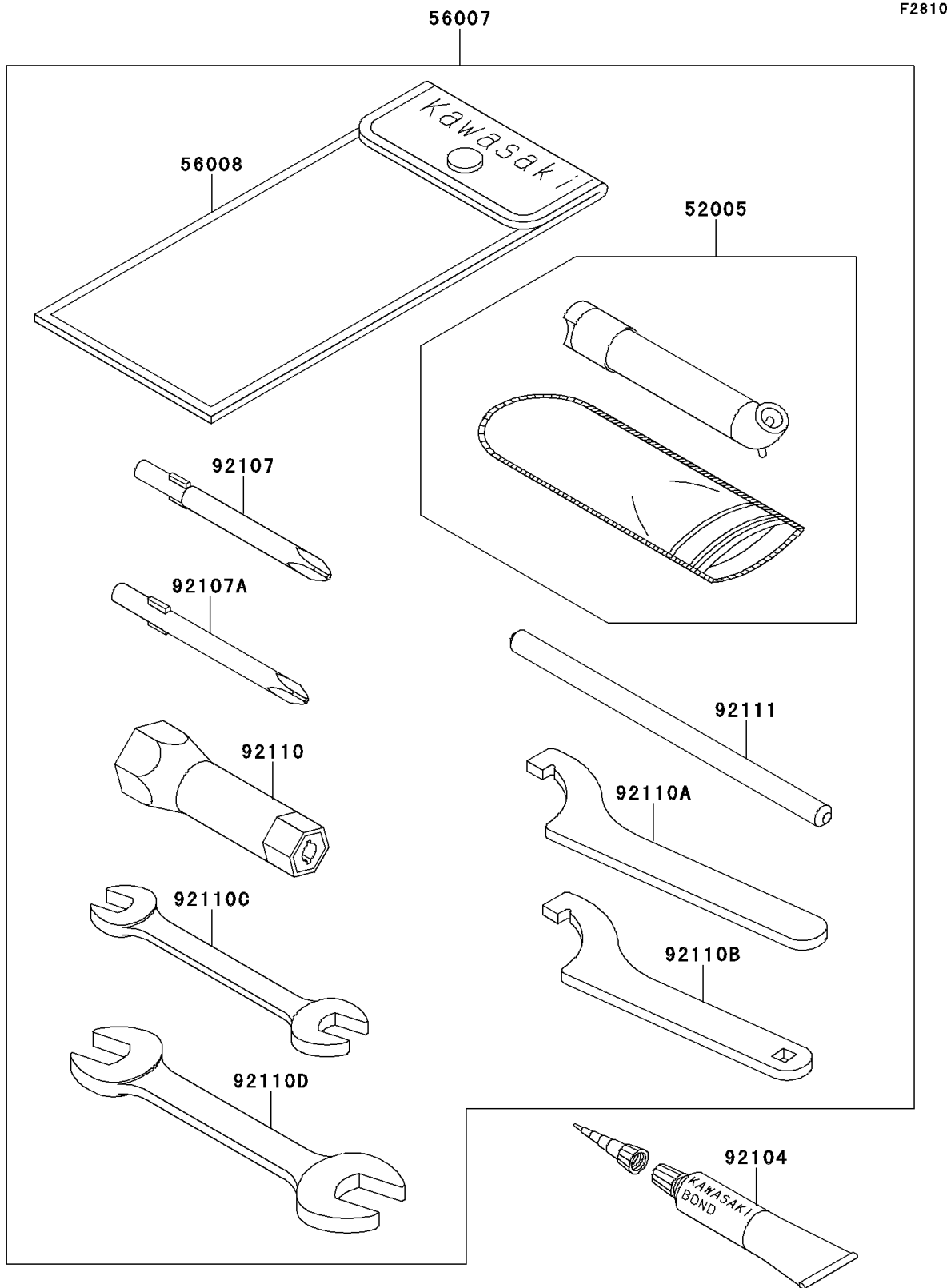


# 2000 Lakota 300

## PARTS DIAGRAM

### Owner's Tools



# 2000 Lakota 300

## PARTS LIST

### Owner's Tools

**ITEM NAME**

**PART NUMBER**

**QUANTITY**

---