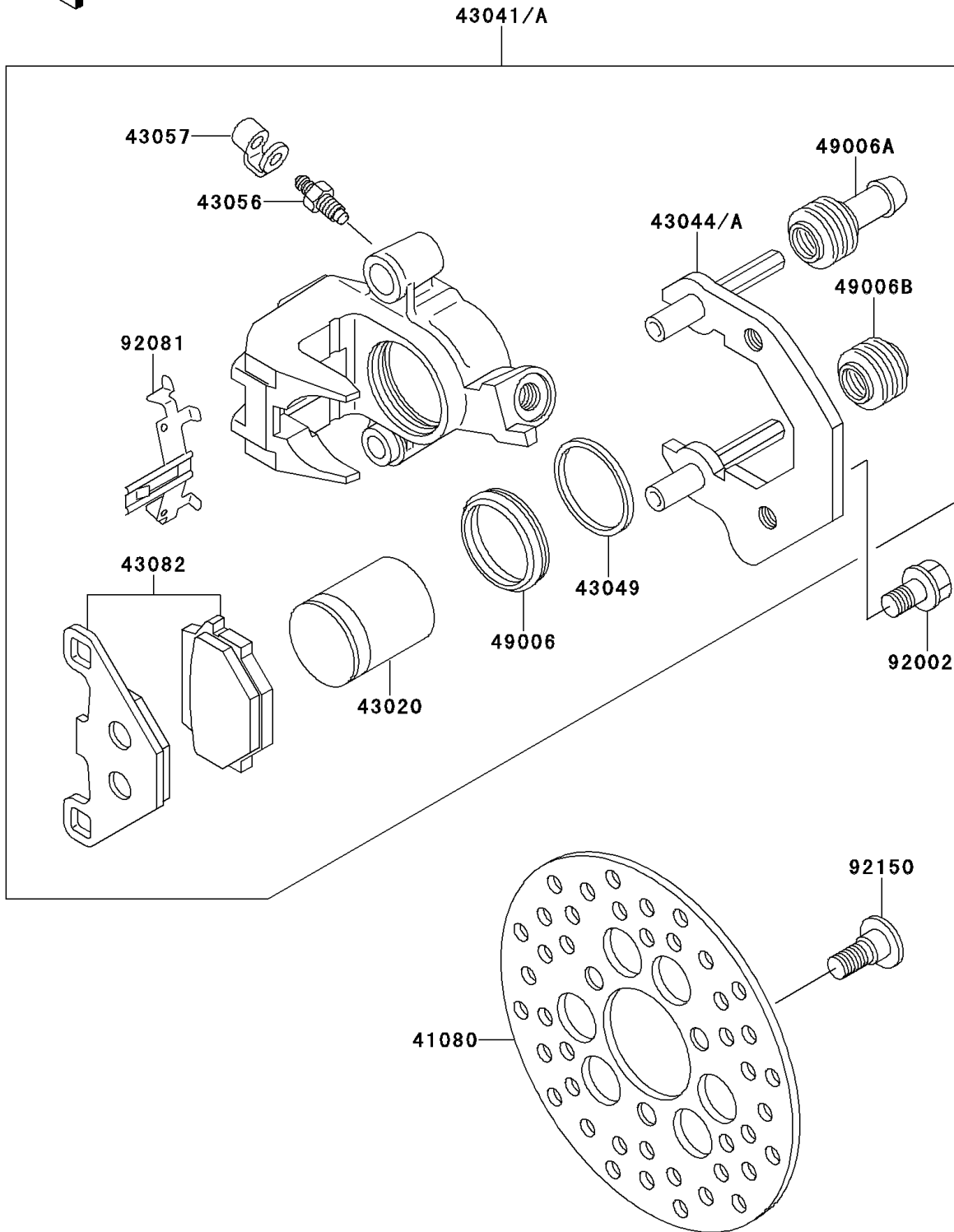


2000 Lakota 300

PARTS DIAGRAM

Front Brake

F2292



2000 Lakota 300

PARTS LIST

Front Brake

ITEM NAME

PART NUMBER

QUANTITY
