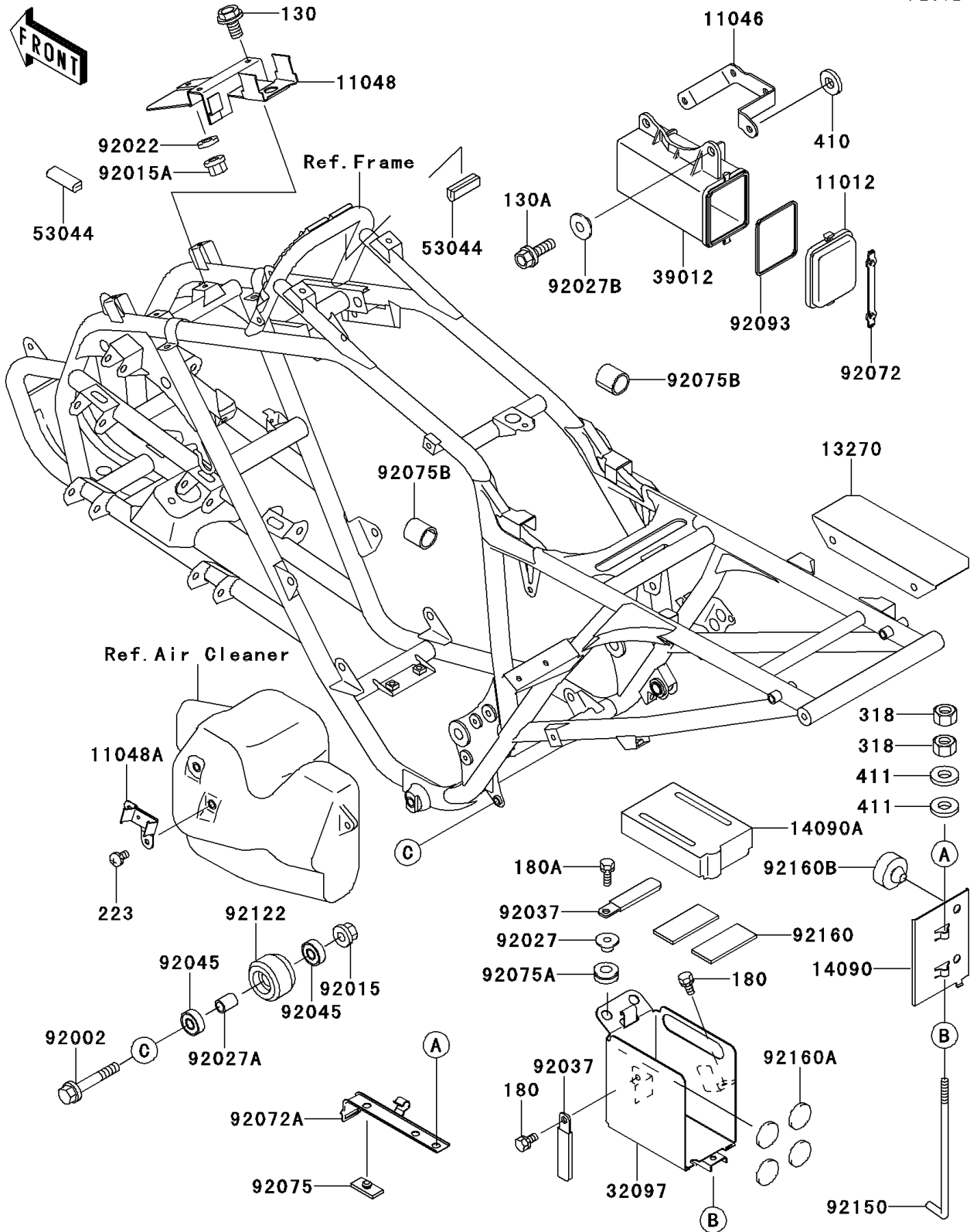


# 2000 Lakota 300

## PARTS DIAGRAM

### Battery Case

F2132



# 2000 Lakota 300

## PARTS LIST

### Battery Case

**ITEM NAME**

**PART NUMBER**

**QUANTITY**

---