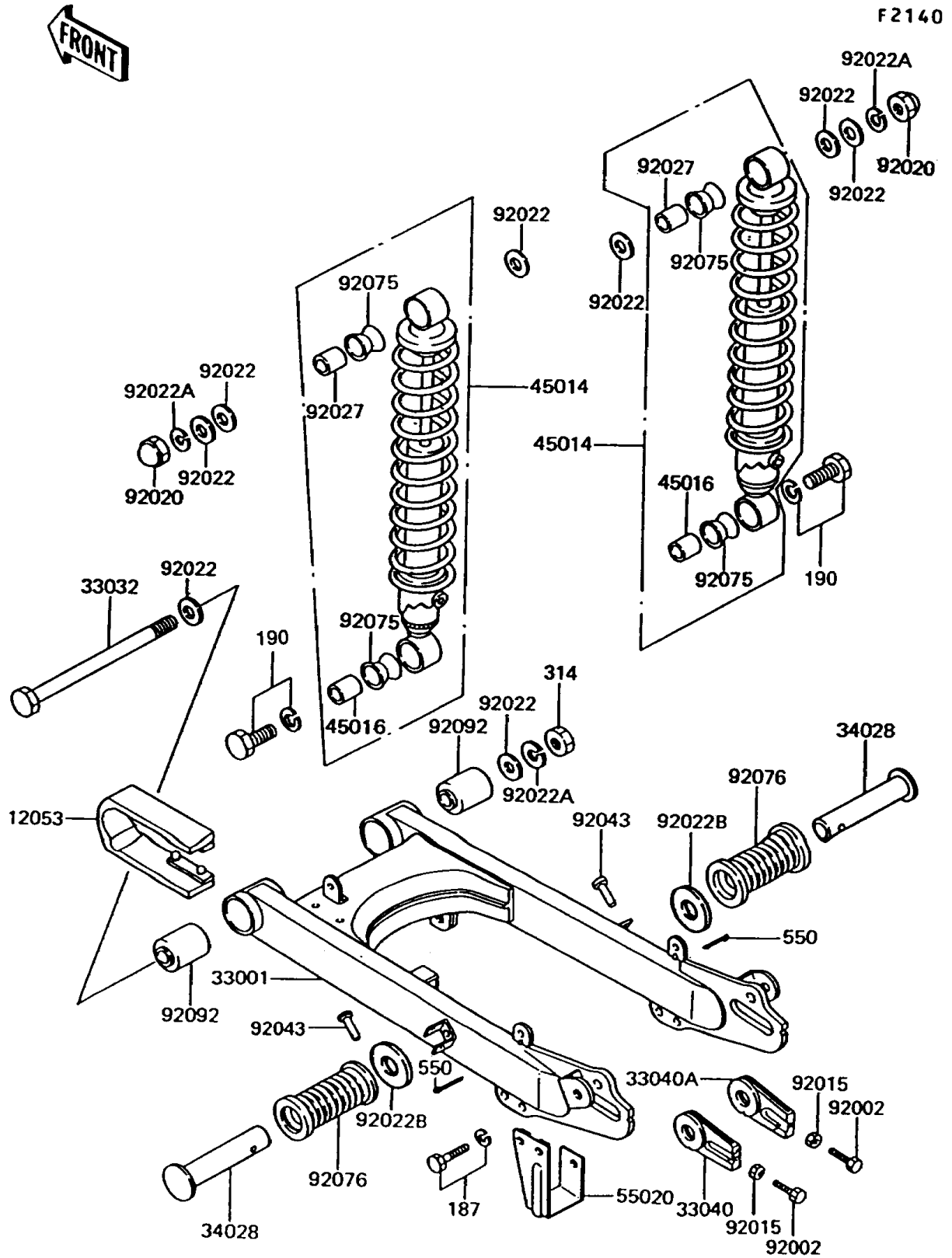


# 1994 KE100

## PARTS DIAGRAM

### Swingarm/Shock Absorber



# 1994 KE100

## PARTS LIST

### Swingarm/Shock Absorber

**ITEM NAME**

**PART NUMBER**

**QUANTITY**

---