

# 1987 KDX80

## PARTS DIAGRAM

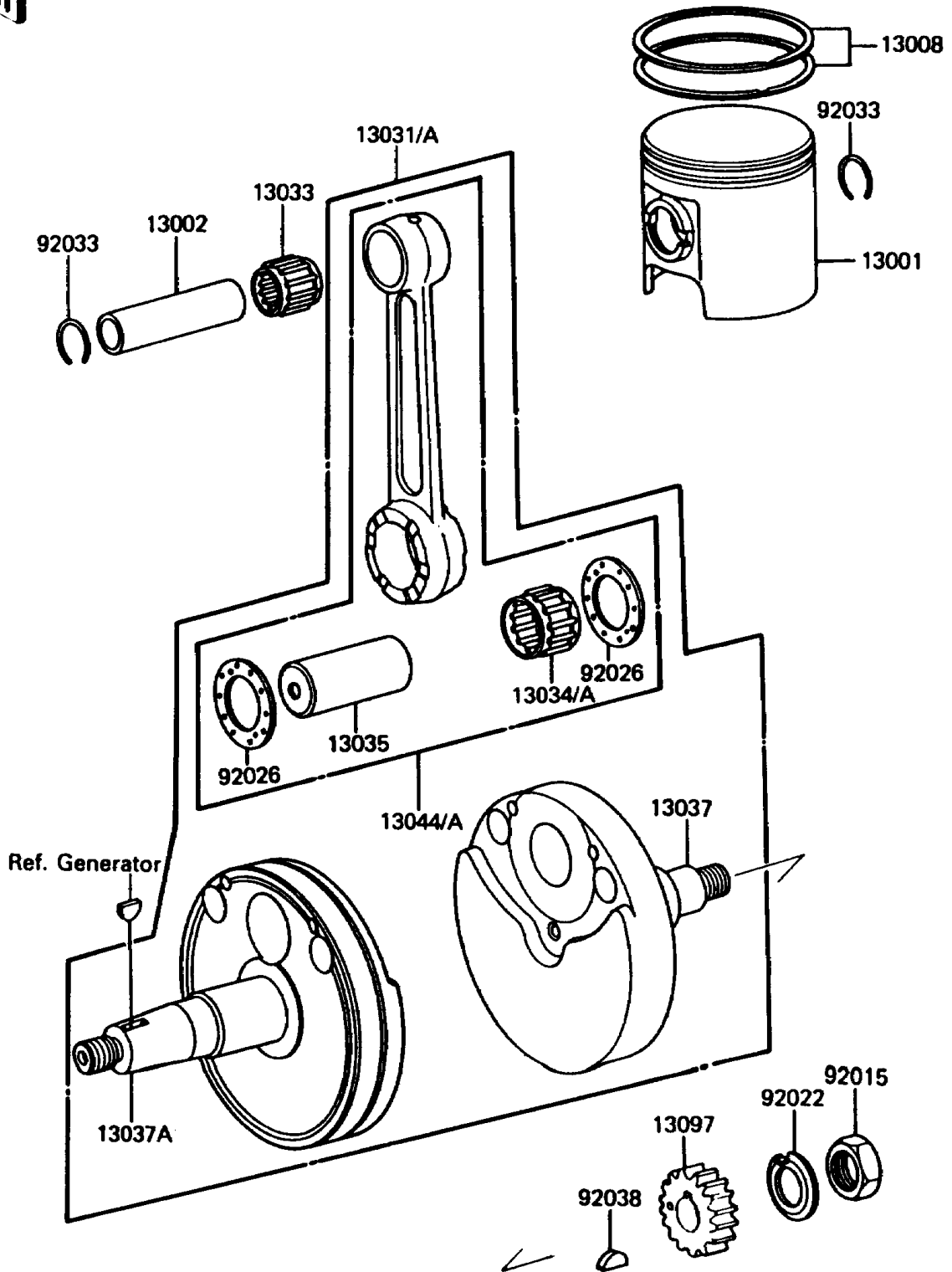
### Crankshaft/Piston(s)

**Kawasaki**

Let the Good Times Roll®



E 1320-0014



# 1987 KDX80

## PARTS LIST

### Crankshaft/Piston(s)

ITEM NAME	PART NUMBER	QUANTITY
PISTON-ENGINE (Ref # 13001)	13001-1184	1
PIN-PISTON (Ref # 13002)	13002-1024	1
RING-SET-PISTON (Ref # 13008)	13008-5052	1
CRANKSHAFT-COMP (Ref # 13031A)	13031-1206	1
BEARING-NEEDLE,14R1818P (Ref # 13033)	13033-1003	1
BEARING-BIG END,H22X29X13.8 (Ref # 13034A)	13034-1072	1
PIN-CRANK (Ref # 13035)	13035-1054	1
CRANKSHAFT,RH (Ref # 13037)	13037-1120	1
CRANKSHAFT,LH (Ref # 13037A)	13037-1205	1
SET-CONNECTING ROD (Ref # 13044A)	13044-5053	1
GEAR-PRIMARY SPUR,22T (Ref # 13097)	13097-1055	1
NUT,12MM (Ref # 92015)	92015-006	1
WASHER,CLAW,12.5X25X0.8 (Ref # 92022)	92024-003	1
SPACER,22.5X37X1.0 (Ref # 92026)	92026-011	2
RING-SNAP,PISTON PIN (Ref # 92033)	92036-003	2
KEY,WOODRUFF (Ref # 92038)	92038-003	1