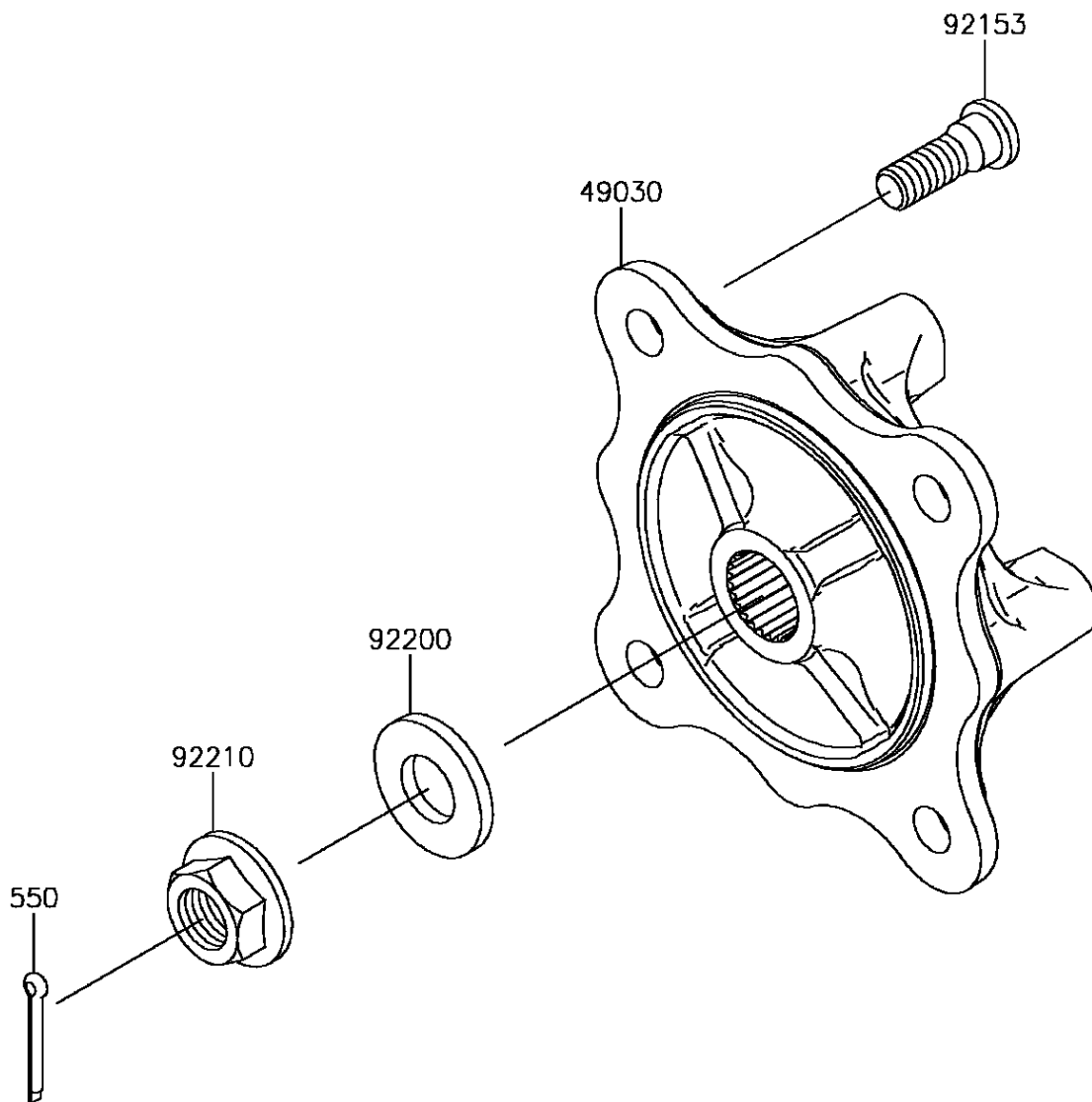


# 2017 MULE PRO-FX™ EPS

## PARTS DIAGRAM

### Front Hubs/Brakes

F2230



# 2017 MULE PRO-FX™ EPS

## PARTS LIST

### Front Hubs/Brakes

**ITEM NAME**

**PART NUMBER**

**QUANTITY**

---