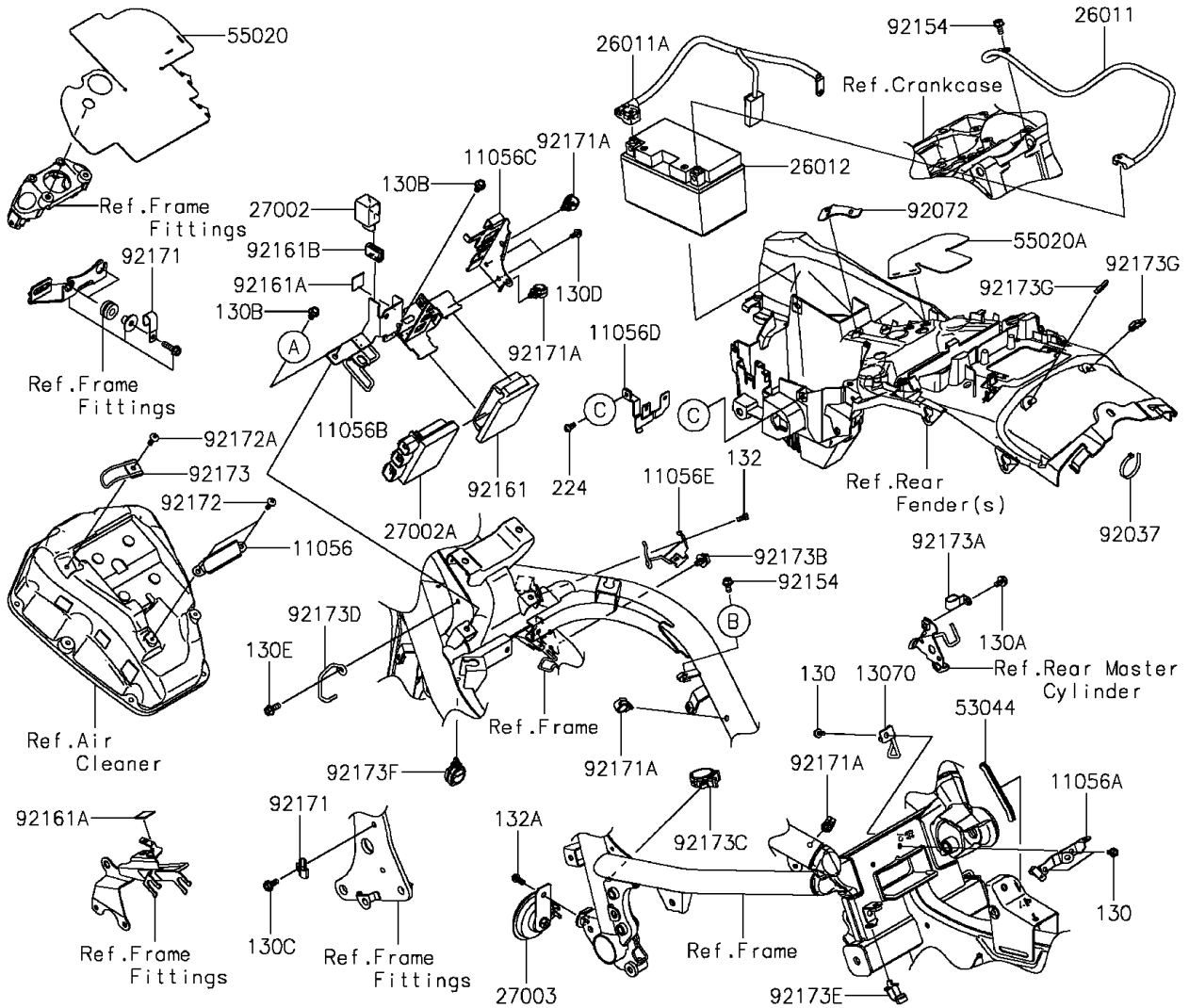
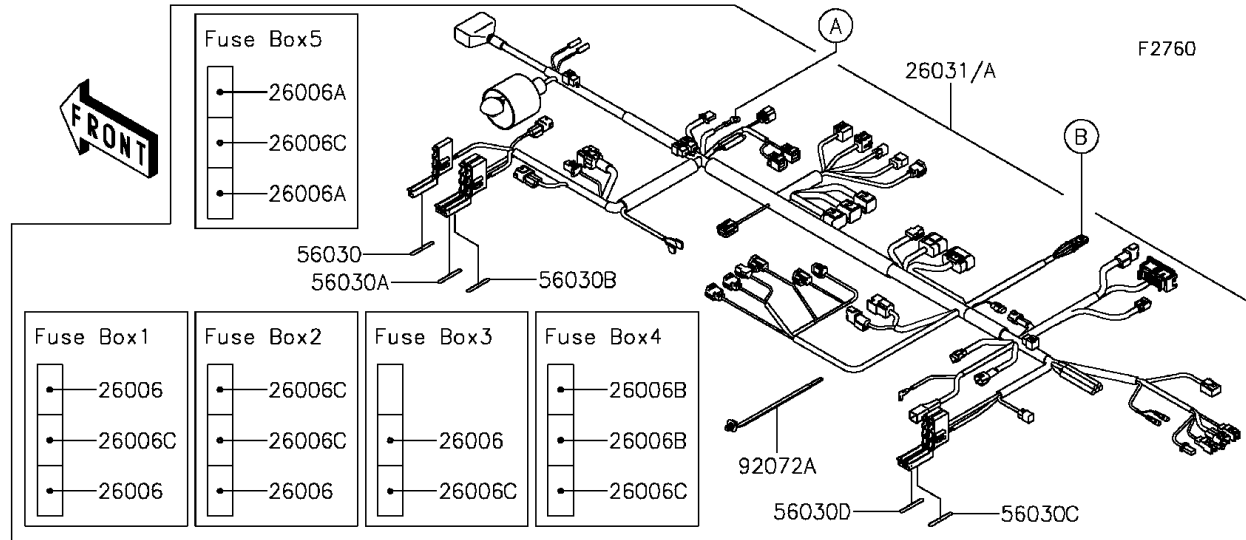


2016 VULCAN® S ABS

PARTS DIAGRAM

Chassis Electrical Equipment



2016 VULCAN® S ABS

PARTS LIST

Chassis Electrical Equipment

ITEM NAME

PART NUMBER

QUANTITY
