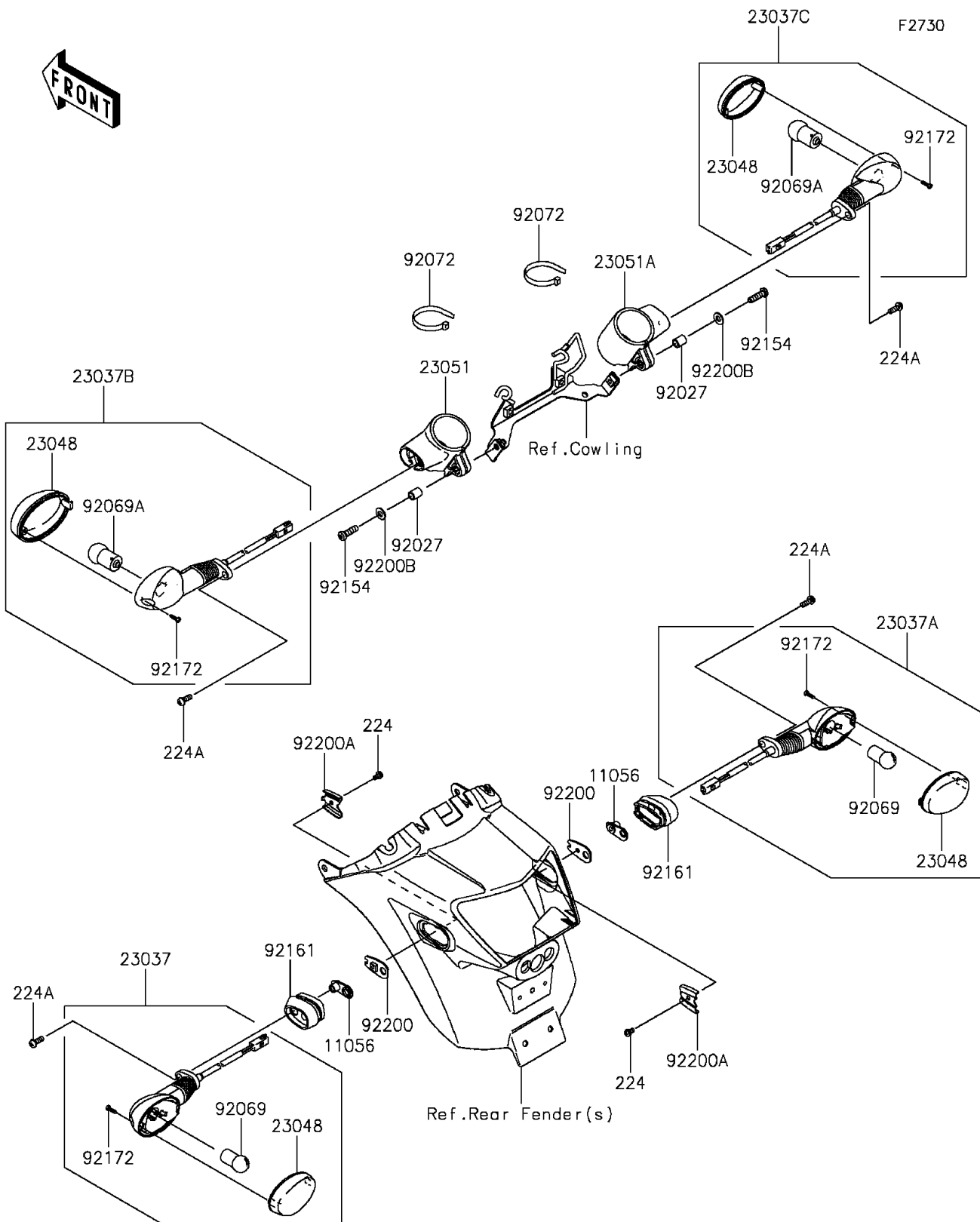


# 2016 VULCAN® S ABS SE

## PARTS DIAGRAM

### Turn Signals



# 2016 VULCAN<sup>®</sup> S ABS SE

## PARTS LIST

### Turn Signals

**ITEM NAME**

**PART NUMBER**

**QUANTITY**

---