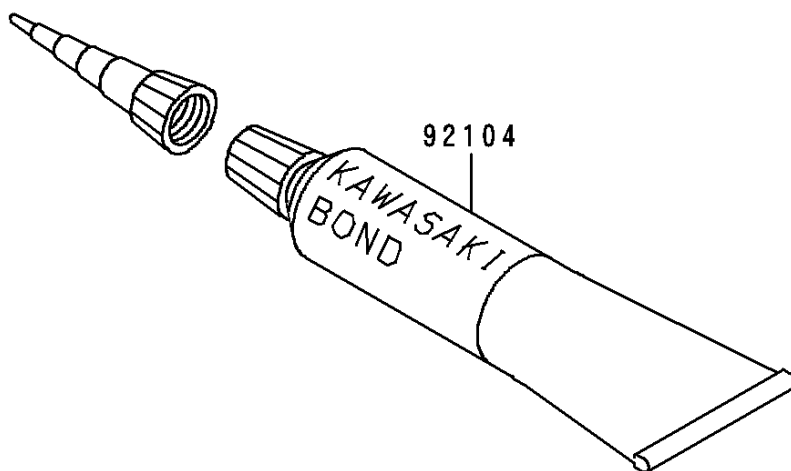
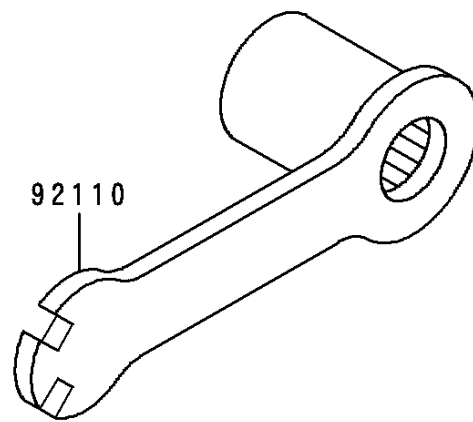


# 1997 KDX200

## PARTS DIAGRAM

### Owner's Tools

F2810



# 1997 KDX200

## PARTS LIST

### Owner's Tools

**ITEM NAME**

**PART NUMBER**

**QUANTITY**

---