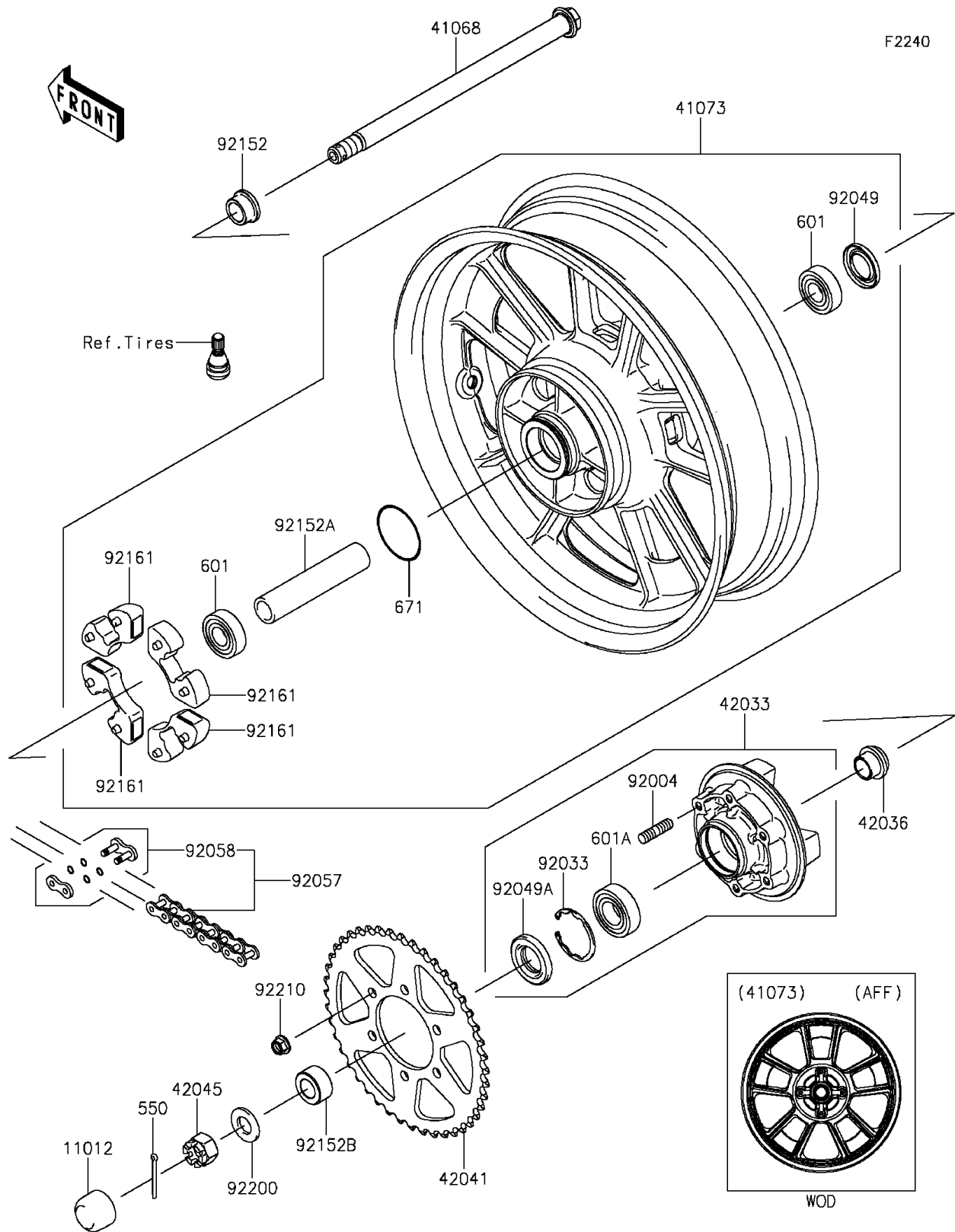


2016 Vulcan® S

PARTS DIAGRAM

Rear Wheel/Chain



2016 Vulcan® S

PARTS LIST

Rear Wheel/Chain

ITEM NAME

PART NUMBER

QUANTITY
