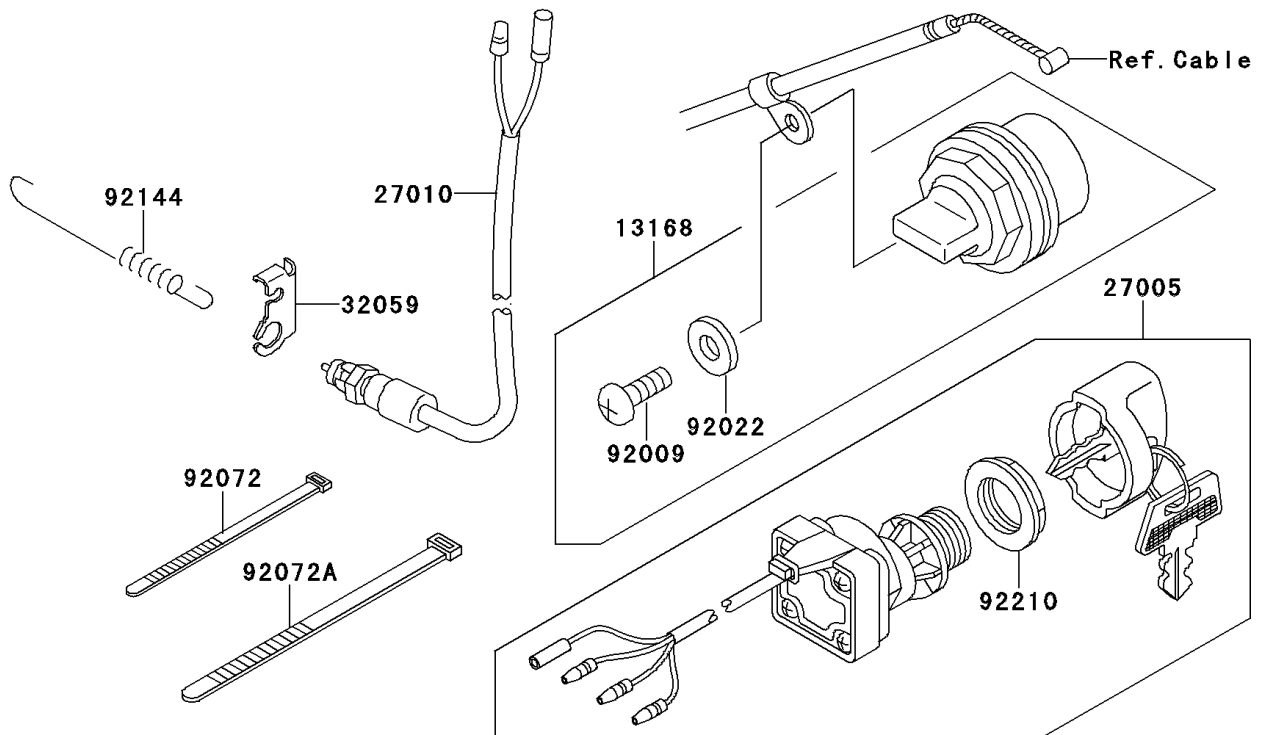
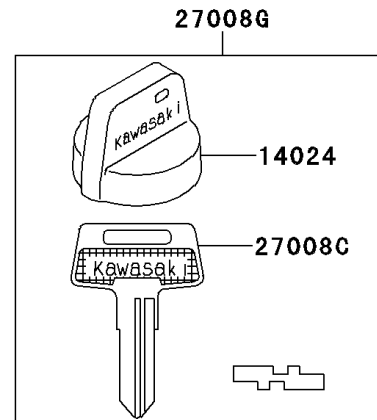
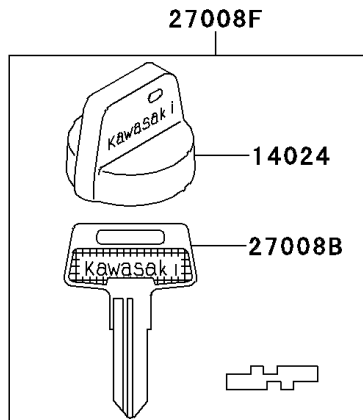
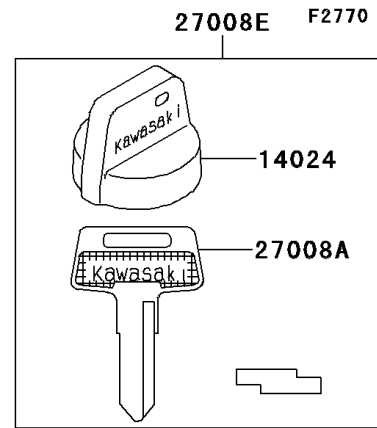
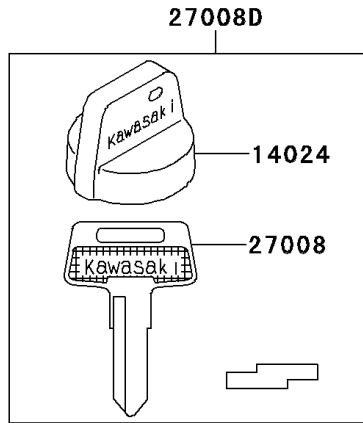
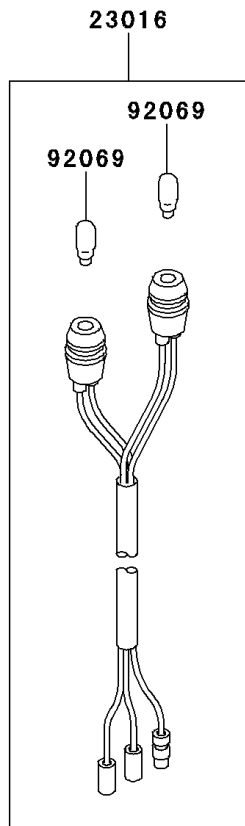


1999 Bayou 220

PARTS DIAGRAM

Ignition Switch

FRONT



1999 Bayou 220

PARTS LIST

Ignition Switch

ITEM NAME

PART NUMBER

QUANTITY
