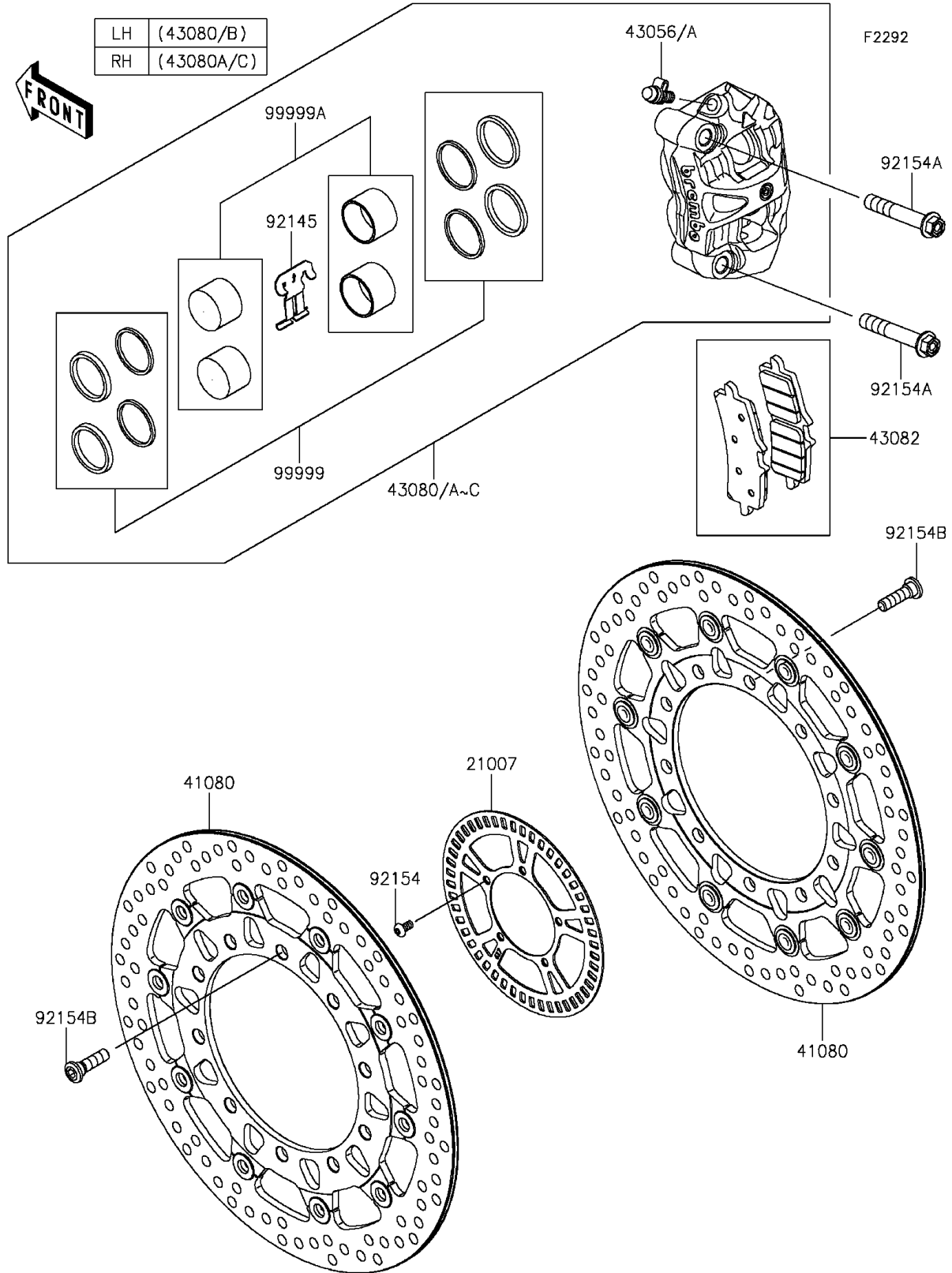


2015 NINJA H2™ R

PARTS DIAGRAM

Front Brake



2015 NINJA H2™ R

PARTS LIST

Front Brake

ITEM NAME	PART NUMBER	QUANTITY
ROTOR,SENSOR,FR (Ref # 21007)	21007-0617	1
DISC,FR,330MM,BLACK+DISK BLACK (Ref # 41080)	41080-0635-18U	2
BREATHER-BRAKE (Ref # 43056)	43056-0012	2
CALIPER-SUB-ASSY,FR,LH,GRAY (Ref # 43080)	43080-0160-51J	1
CALIPER-SUB-ASSY,FR,RH,GRAY (Ref # 43080A)	43080-0161-51J	1
PAD-ASSY-BRAKE (Ref # 43082)	43082-0157	2
SPRING (Ref # 92145)	92145-1684	2
BOLT,SOCKET,5X10 (Ref # 92154)	92154-1292	5
BOLT,FLANGED,10X60 (Ref # 92154A)	92154-1643	4
BOLT,SOCKET,8X30 (Ref # 92154B)	92154-1723	10
KIT.,DUST SEAL (Ref # 99999)	99999-0557	2
KIT.,CALIPER PISTON (Ref # 99999A)	99999-0558	2