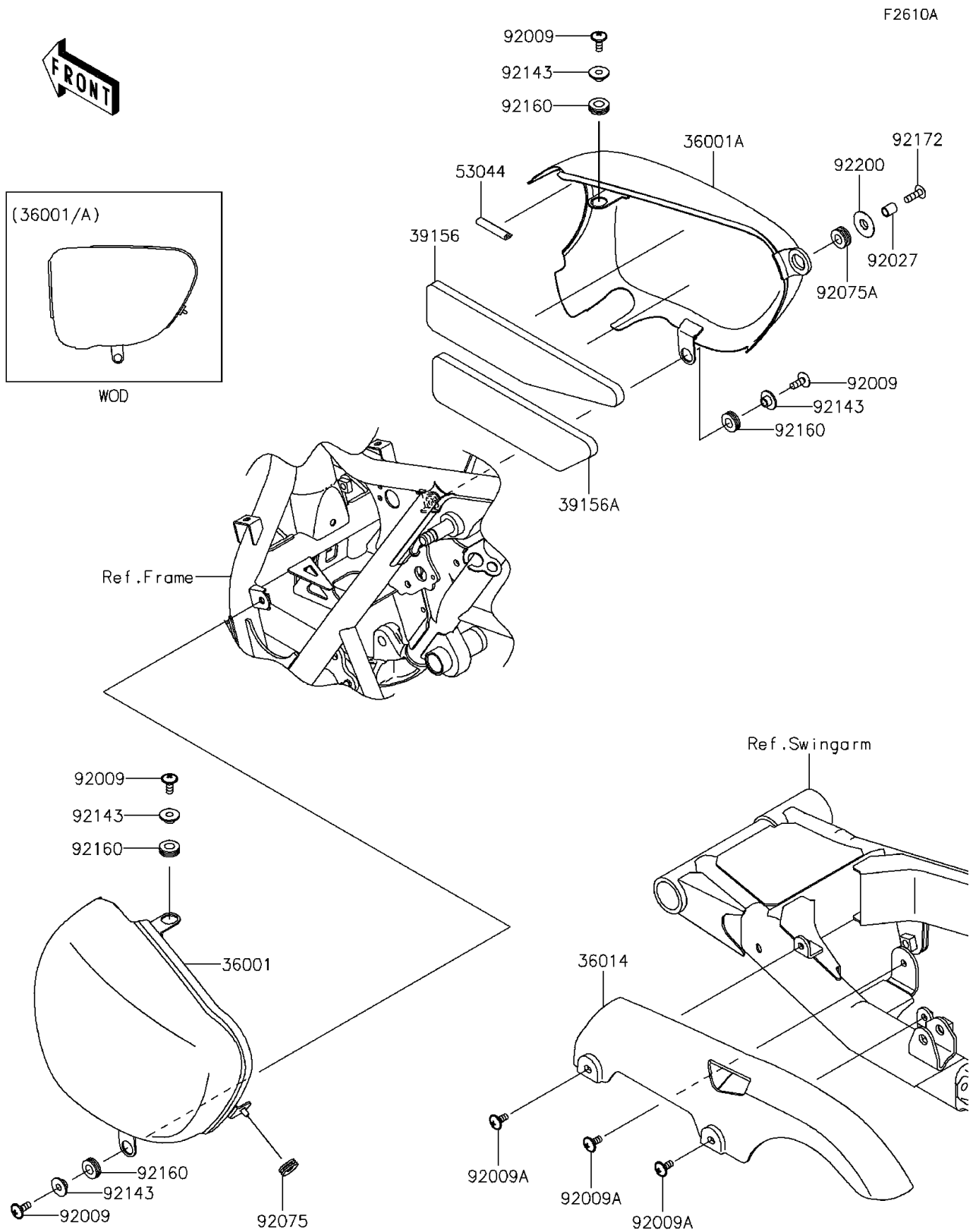


2016 W800 (European)

PARTS DIAGRAM

Side Covers/Chain Cover(AFFA/AGFA)



2016 W800 (European)

PARTS LIST

Side Covers/Chain Cover(AFFA/AGFA)

ITEM NAME

PART NUMBER

QUANTITY
