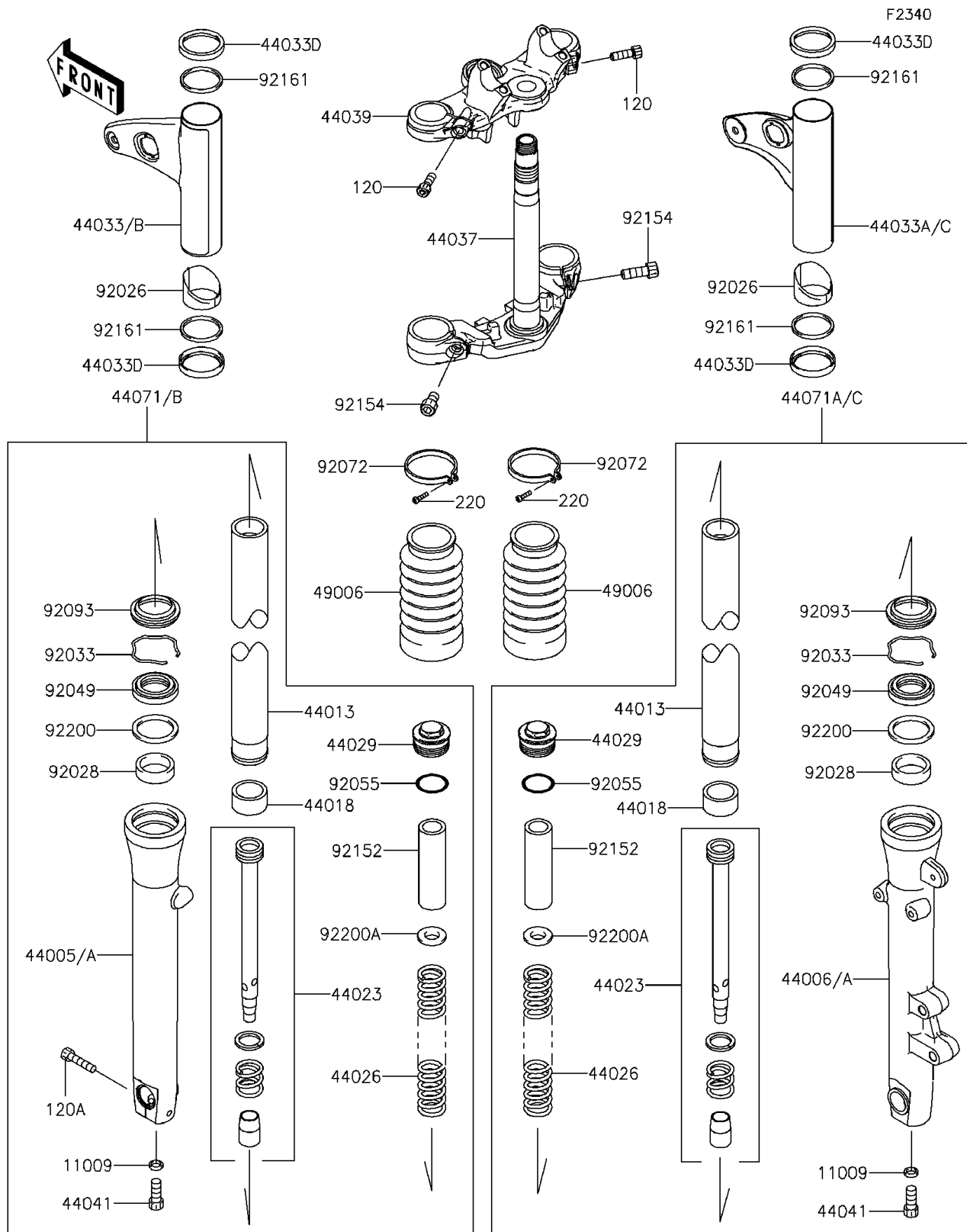


# 2016 W800 (European)

## PARTS DIAGRAM

### Front Fork



# 2016 W800 (European)

## PARTS LIST

### Front Fork

ITEM NAME	PART NUMBER	QUANTITY
BOLT-SOCKET,8X25 (Ref # 120)	120CA0825	2
BOLT-SOCKET,8X35 (Ref # 120A)	120CA0835	1
SCREW-PAN-CROS,4X16 (Ref # 220)	220C0416	2
GASKET,10.5X15X1.5 (Ref # 11009)	11009-1325	2
PIPE-LEFT FORK OUTER (Ref # 44005)	44005-0083	1
PIPE-RIGHT FORK OUTER (Ref # 44006)	44006-0079	1
PIPE-FORK INNER (Ref # 44013)	44013-1488	2
PISTON-FORK,INNER PIPE (Ref # 44018)	44018-1064	2
CYLINDER-SET-FORK (Ref # 44023)	44023-1152	2
SPRING-FRONT FORK (Ref # 44026)	44026-0032	2
SEAT-FORK SPRING (Ref # 44029)	44029-1140	2
COVER-FORK,LH (Ref # 44033)	44033-0064	1
COVER-FORK,RH (Ref # 44033A)	44033-0065	1
COVER-FORK (Ref # 44033D)	44033-1197	4
HOLDER-FORK UNDER,BLACK (Ref # 44037)	44037-0051-10	1
HOLDER-FORK UPPER,BLACK (Ref # 44039)	44039-0041-10	1
BOLT,SOCKET,FORK CYLINDER (Ref # 44041)	44041-040	2
DAMPER-ASSY,FORK,LH (Ref # 44071)	44071-0724	1
DAMPER-ASSY,FORK,RH (Ref # 44071A)	44071-0725	1
BOOT,FORK (Ref # 49006)	49006-1335	2
SPACER,FORK COVER (Ref # 92026)	92026-1432	2
BUSHING (Ref # 92028)	92028-1940	2
RING-SNAP (Ref # 92033)	92033-1036	2
SEAL-OIL,FORK OUTER TUBE (Ref # 92049)	92049-1515	2
RING-O,FORK TOP CAP (Ref # 92055)	92055-1050	2
BAND,BOOT (Ref # 92072)	92072-1046	2
SEAL,FORK OUTER TUBE (Ref # 92093)	92093-1510	2
COLLAR,FORK,L=115 (Ref # 92152)	92152-1173	2
BOLT (Ref # 92154)	92154-0445	2

# 2016 W800 (European)

## PARTS LIST

### Front Fork

ITEM NAME	PART NUMBER	QUANTITY
DAMPER (Ref # 92161)	92161-0512	4
WASHER (Ref # 92200)	92200-1029	2
WASHER (Ref # 92200A)	92200-1187	2