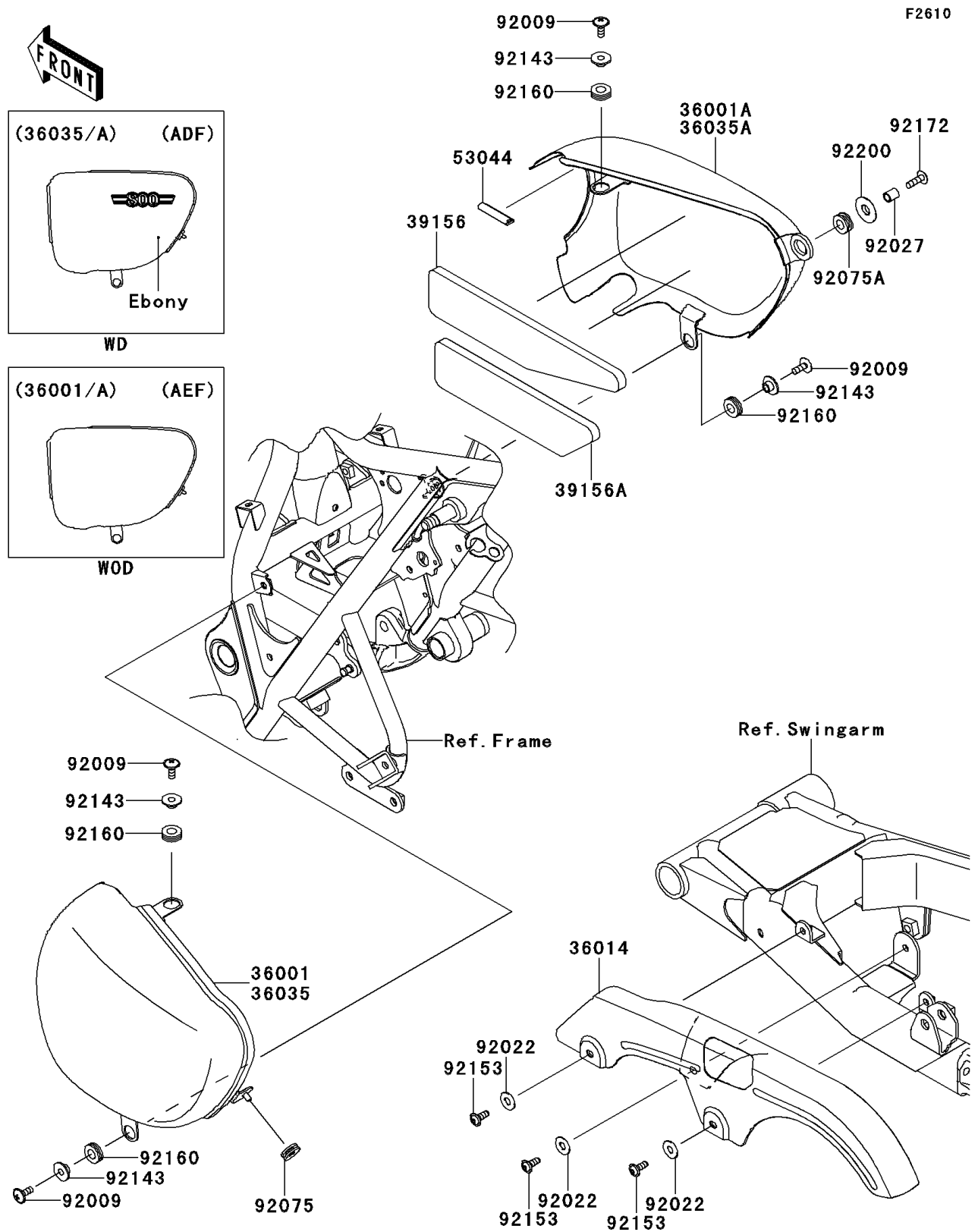


2014 W800 (European)

PARTS DIAGRAM

Side Covers/Chain Cover(ADF/AEF)



2014 W800 (European)

PARTS LIST

Side Covers/Chain Cover(ADF/AEF)

ITEM NAME

PART NUMBER

QUANTITY
