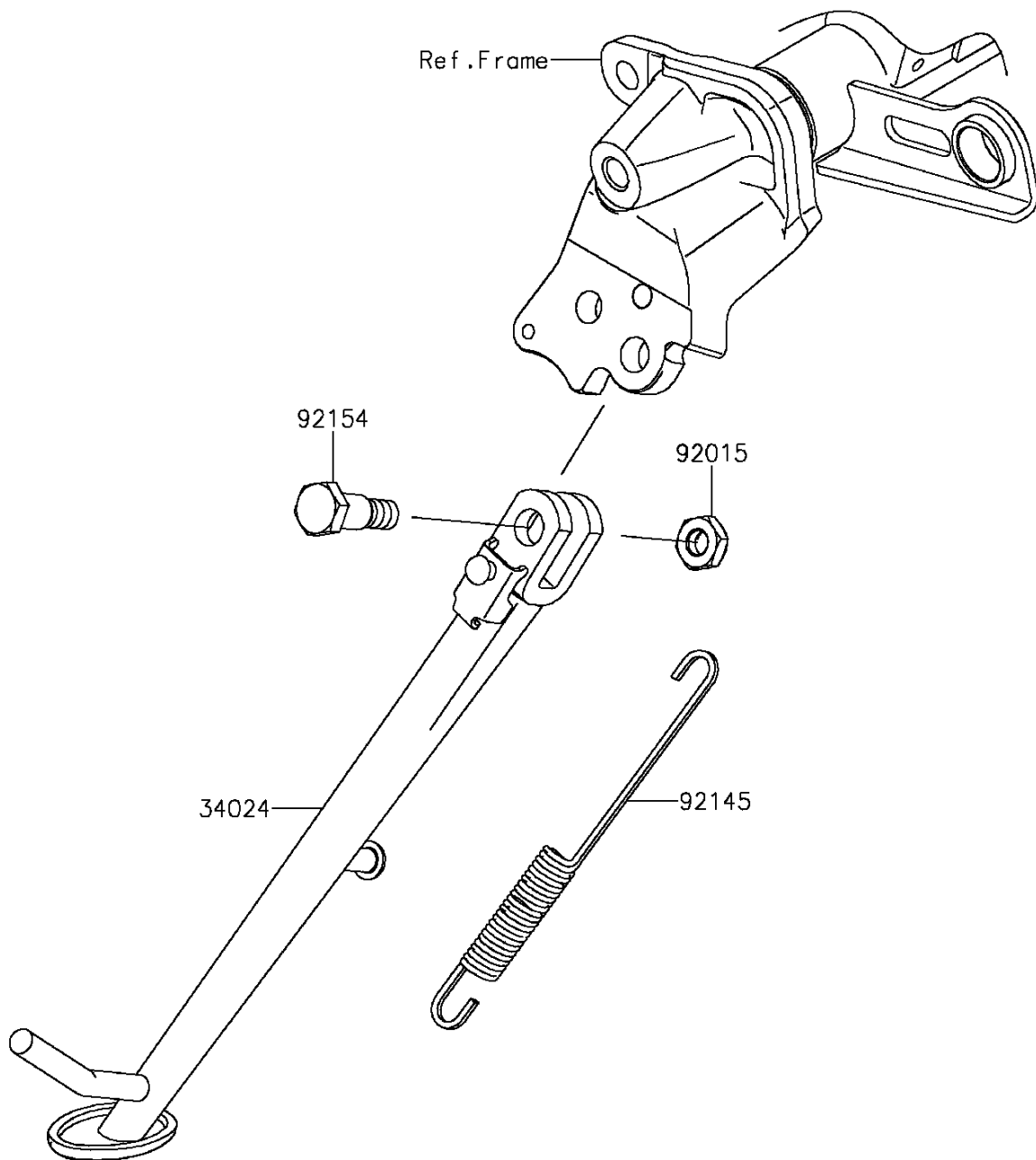


2016 ER-6n

PARTS DIAGRAM

Stand(s)

F2190



2016 ER-6n

PARTS LIST

Stand(s)

ITEM NAME	PART NUMBER	QUANTITY
STAND-SIDE (Ref # 34024)	34024-0103	1
NUT,LOCK,10MM,BLACK (Ref # 92015)	92015-1188	1
SPRING,SIDE STAND (Ref # 92145)	92145-0813	1
BOLT,10X32.5 (Ref # 92154)	92154-0437	1