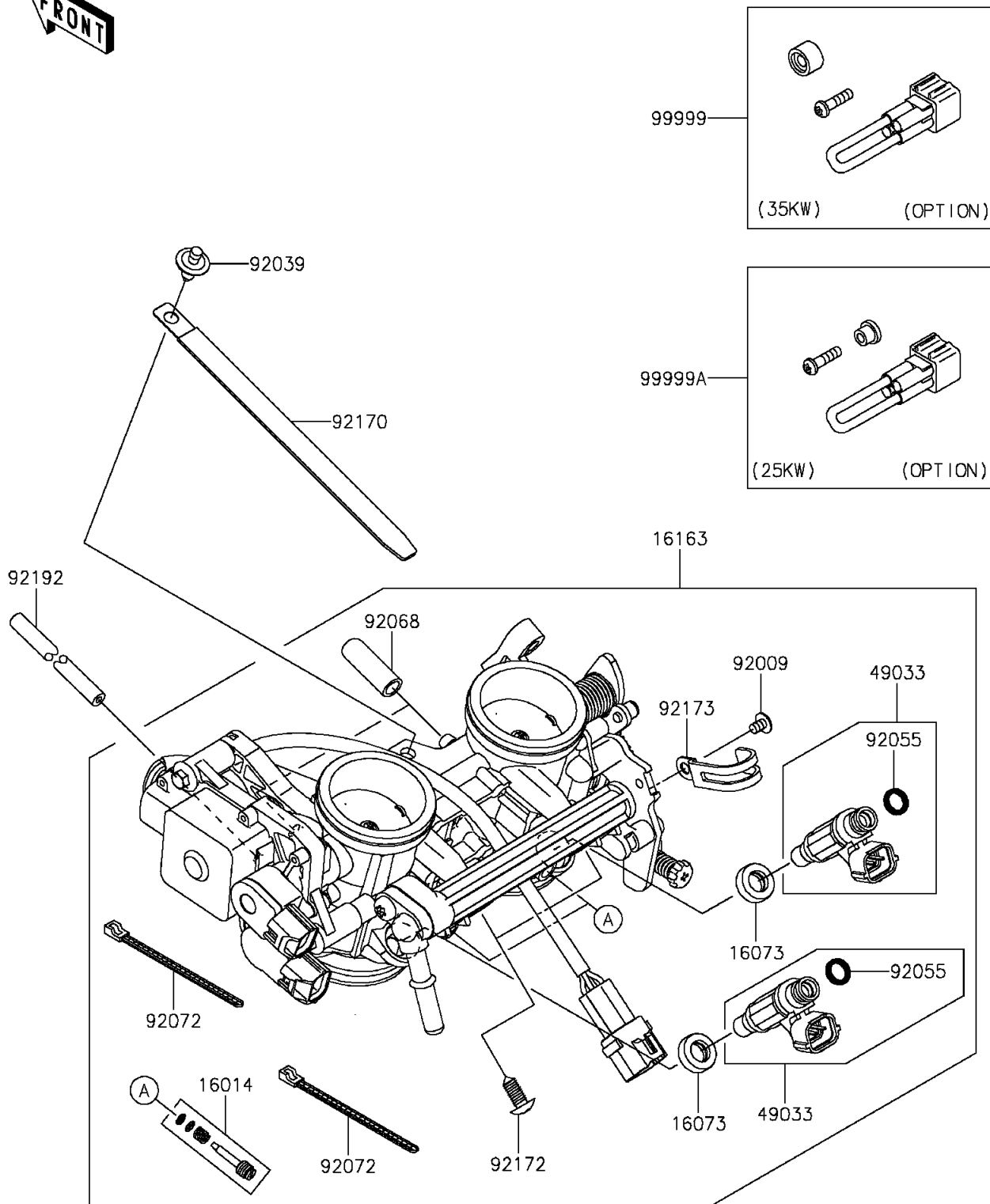


# 2015 ER-6n (European)

## PARTS DIAGRAM

### Throttle

E1510



# 2015 ER-6n (European)

## PARTS LIST

### Throttle

**ITEM NAME**

**PART NUMBER**

**QUANTITY**

---