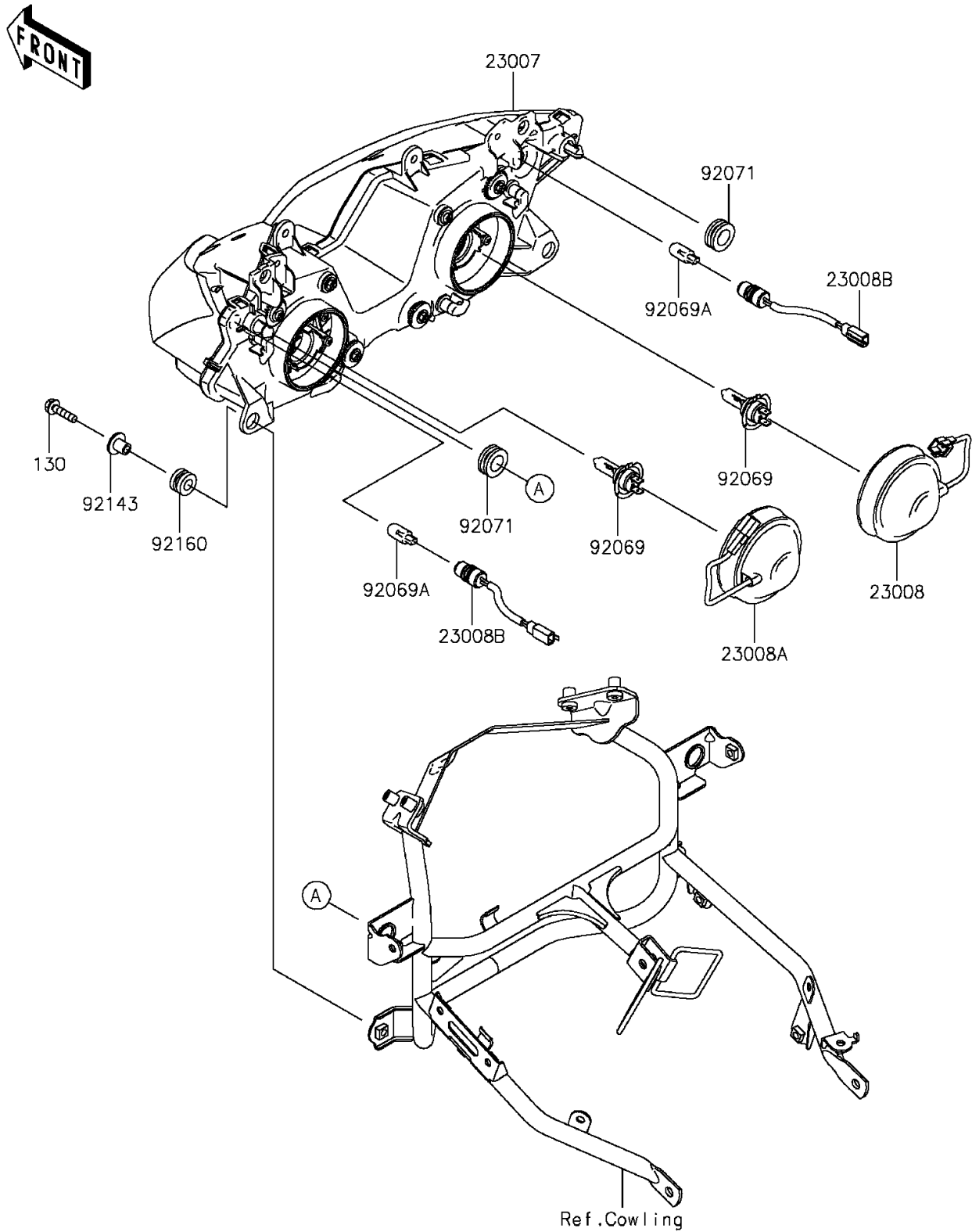


2015 Ninja® 300 ABS SE

PARTS DIAGRAM

Headlight(s)

F2710



2015 Ninja® 300 ABS SE

PARTS LIST

Headlight(s)

ITEM NAME

PART NUMBER

QUANTITY
