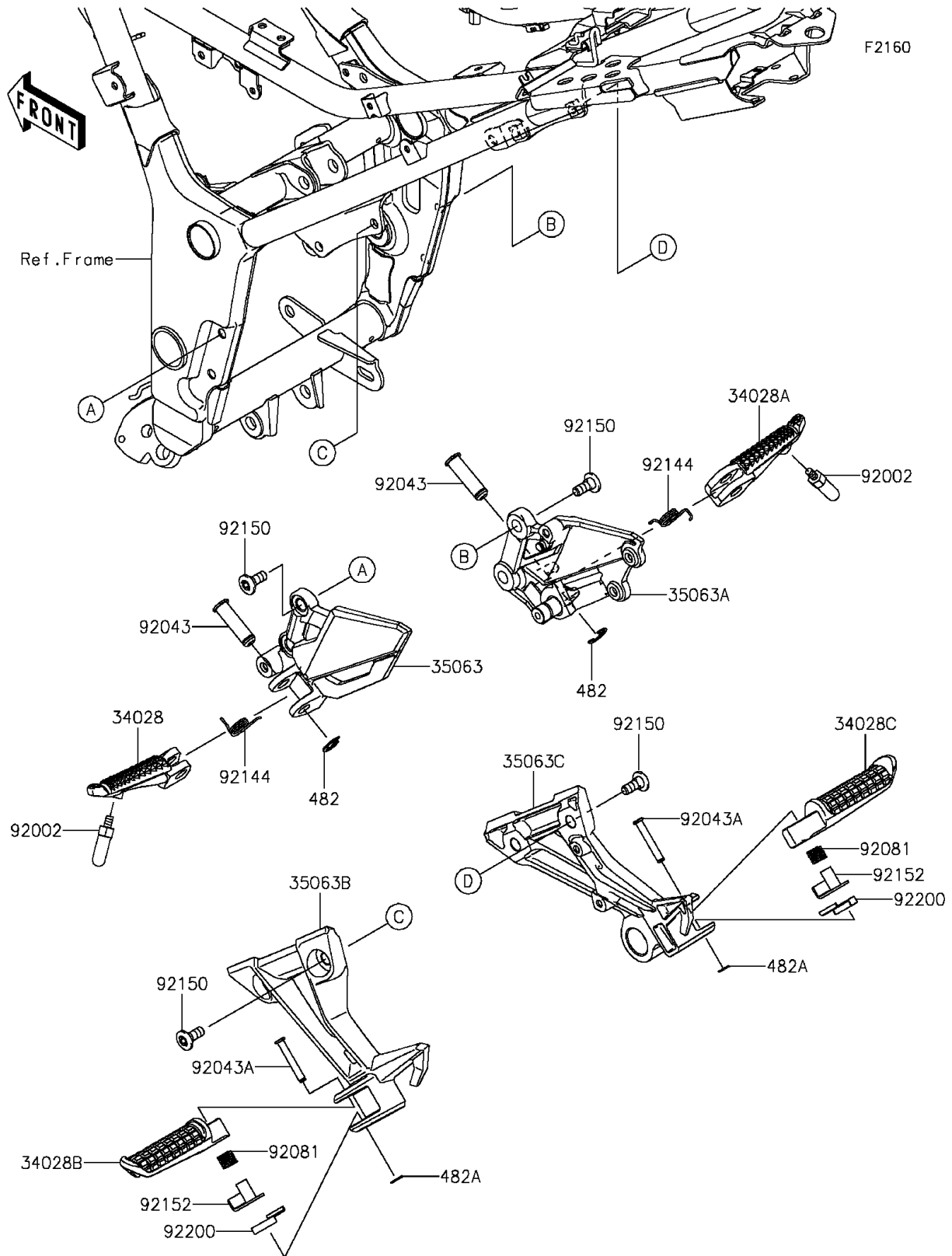


# 2015 Ninja® 300 ABS SE

## PARTS DIAGRAM

### Footrests



# 2015 Ninja® 300 ABS SE

## PARTS LIST

### Footrests

**ITEM NAME**

**PART NUMBER**

**QUANTITY**

---