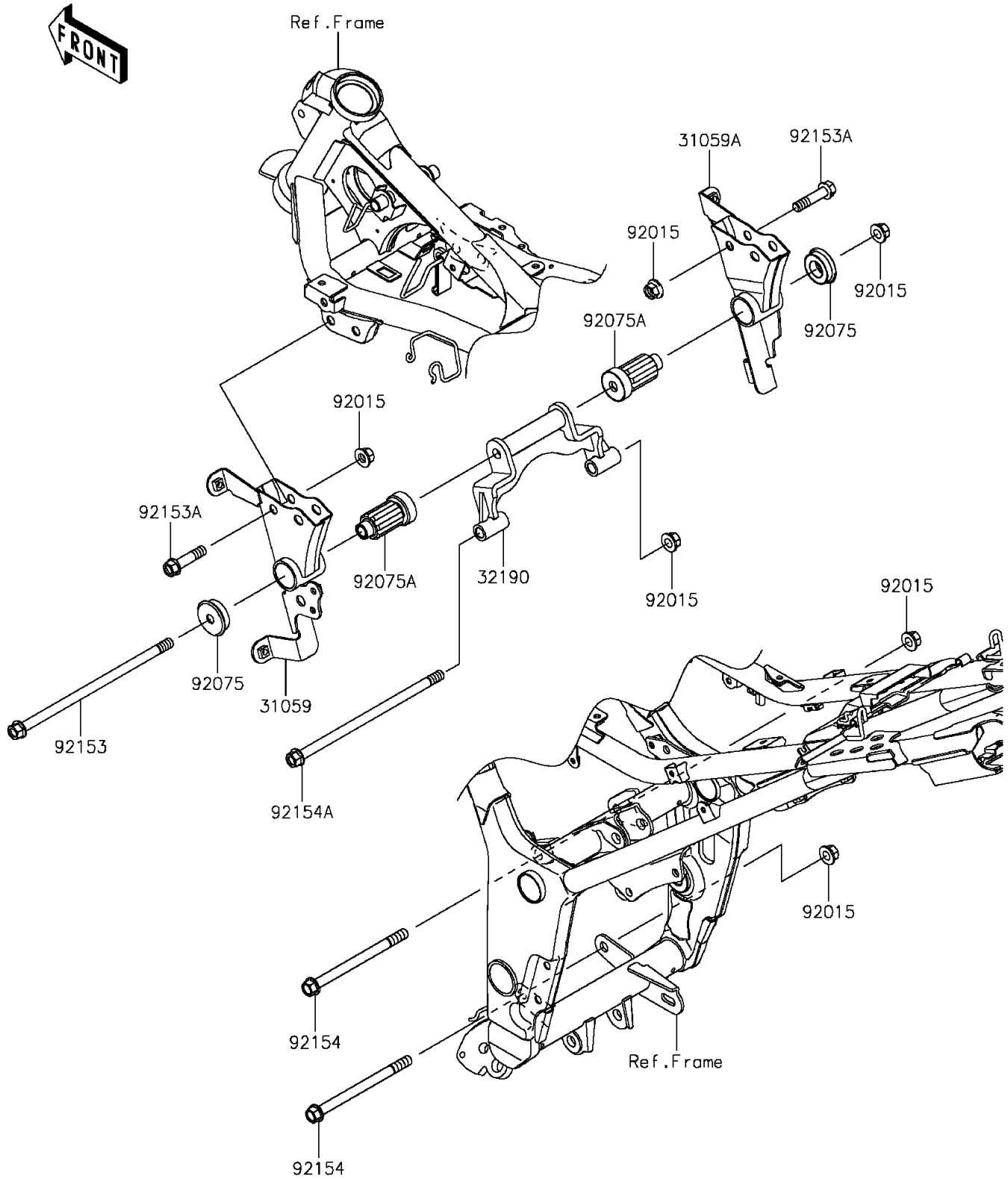


# 2015 NINJA® 300 ABS

## PARTS DIAGRAM

### Engine Mount

F2122



# 2015 NINJA<sup>®</sup> 300 ABS

## PARTS LIST

### Engine Mount

**ITEM NAME**

**PART NUMBER**

**QUANTITY**

---