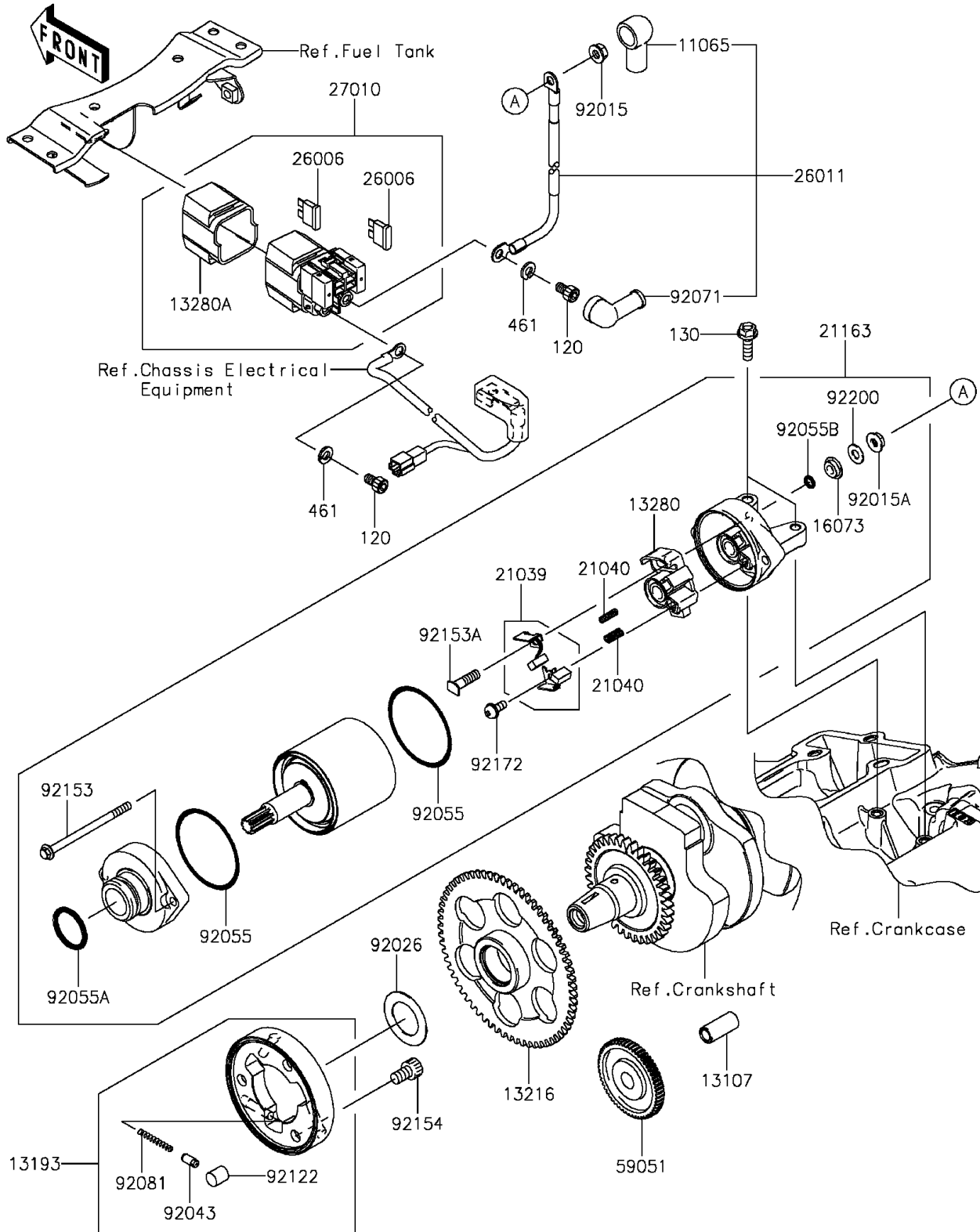


# 2015 Ninja<sup>®</sup> 300 ABS SE

## PARTS DIAGRAM

### Starter Motor

E1840



# 2015 Ninja® 300 ABS SE

## PARTS LIST

### Starter Motor

**ITEM NAME**

**PART NUMBER**

**QUANTITY**

---