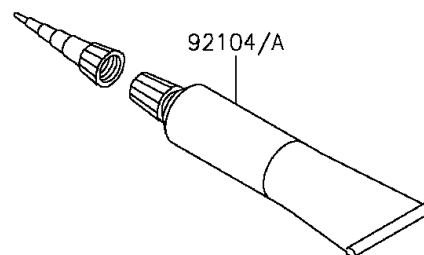
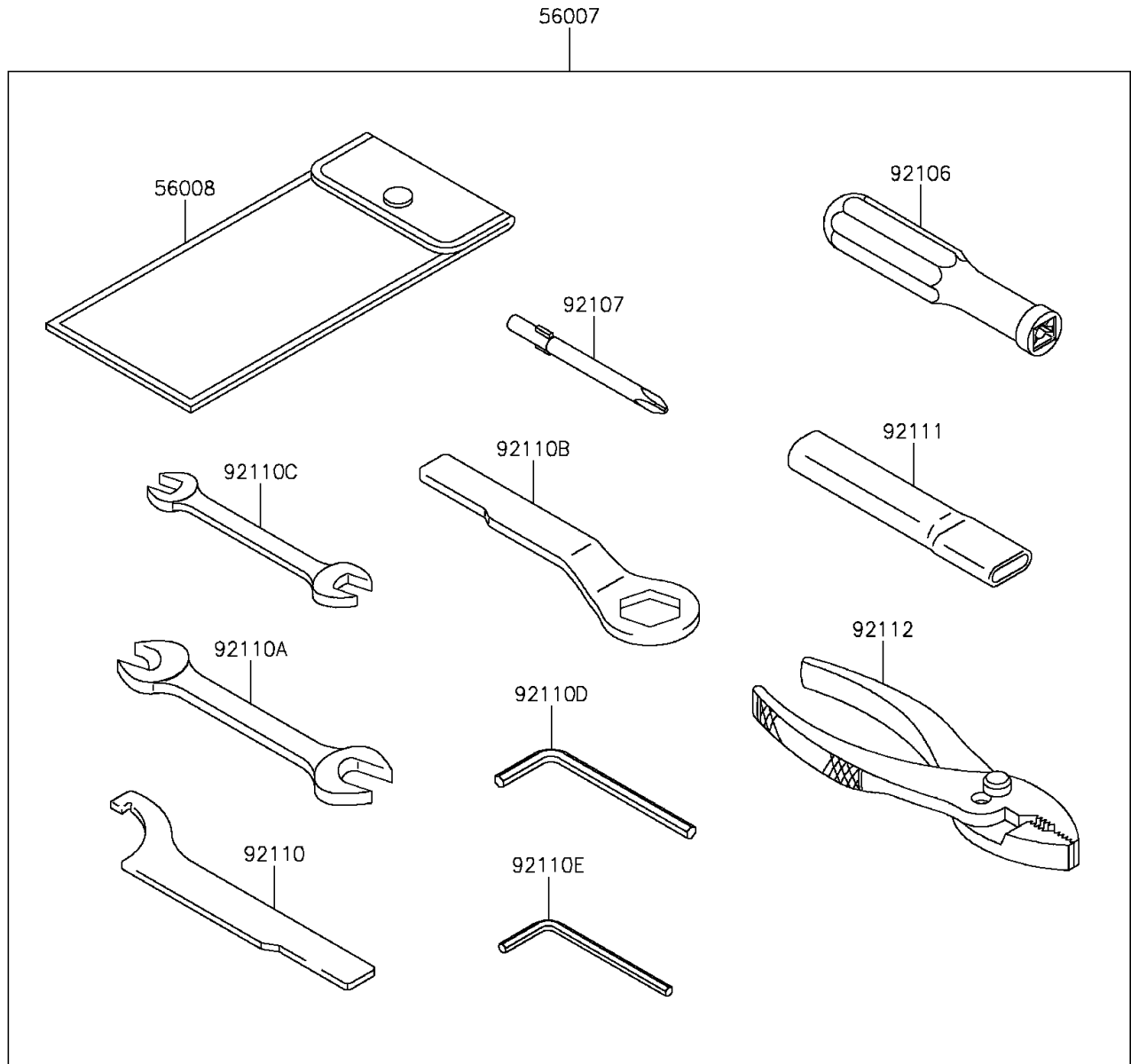


2015 NINJA® 300 SE

PARTS DIAGRAM

Owner's Tools

F2810



2015 NINJA[®] 300 SE

PARTS LIST

Owner's Tools

ITEM NAME

PART NUMBER

QUANTITY
