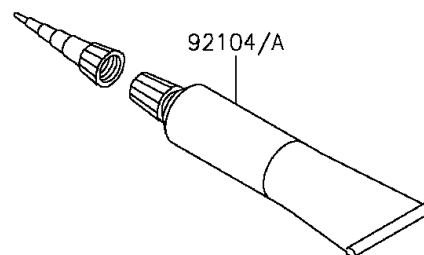
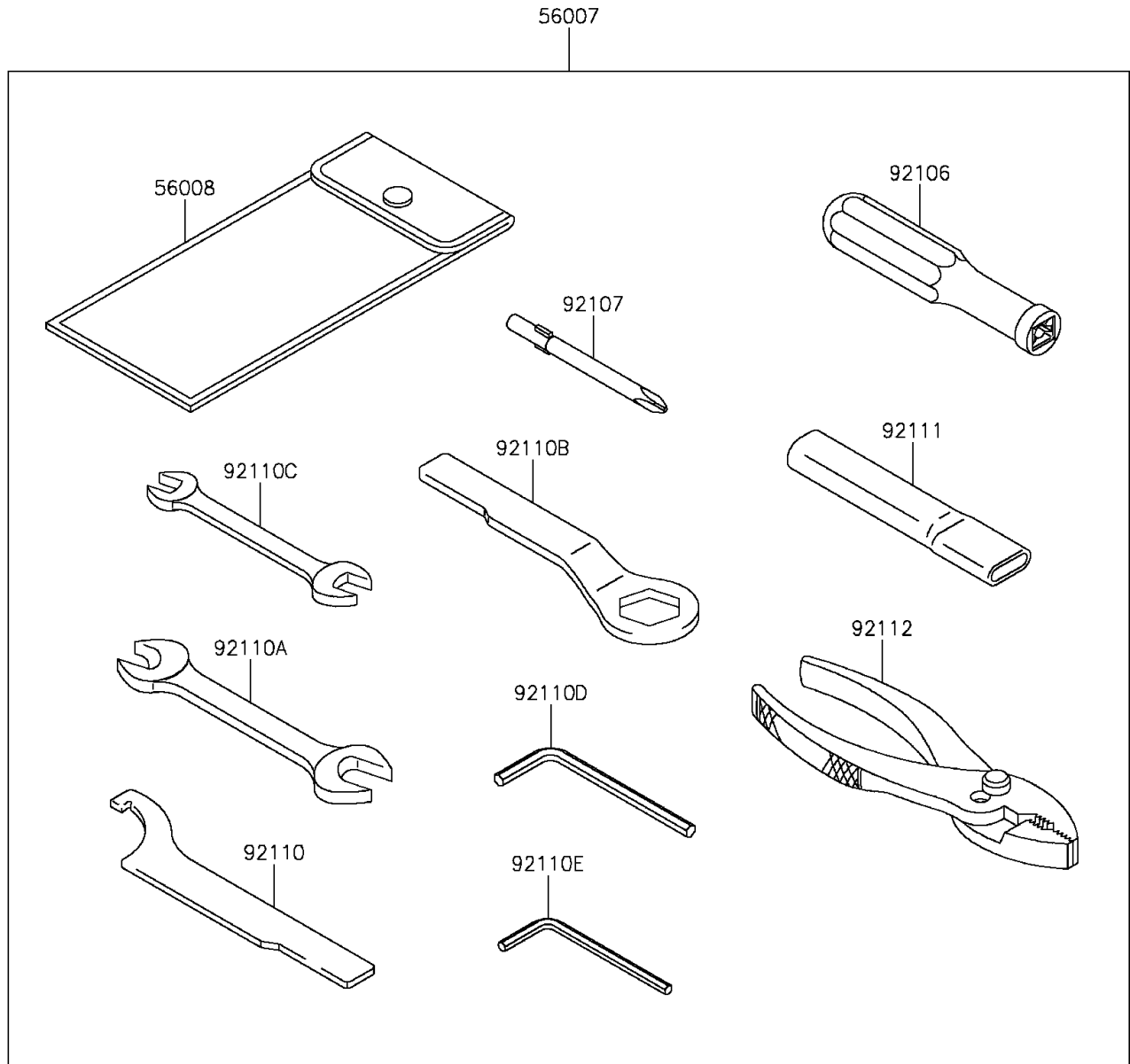


2015 Ninja® 300

PARTS DIAGRAM

Owner's Tools

F2810



2015 Ninja® 300

PARTS LIST

Owner's Tools

ITEM NAME

PART NUMBER

QUANTITY
