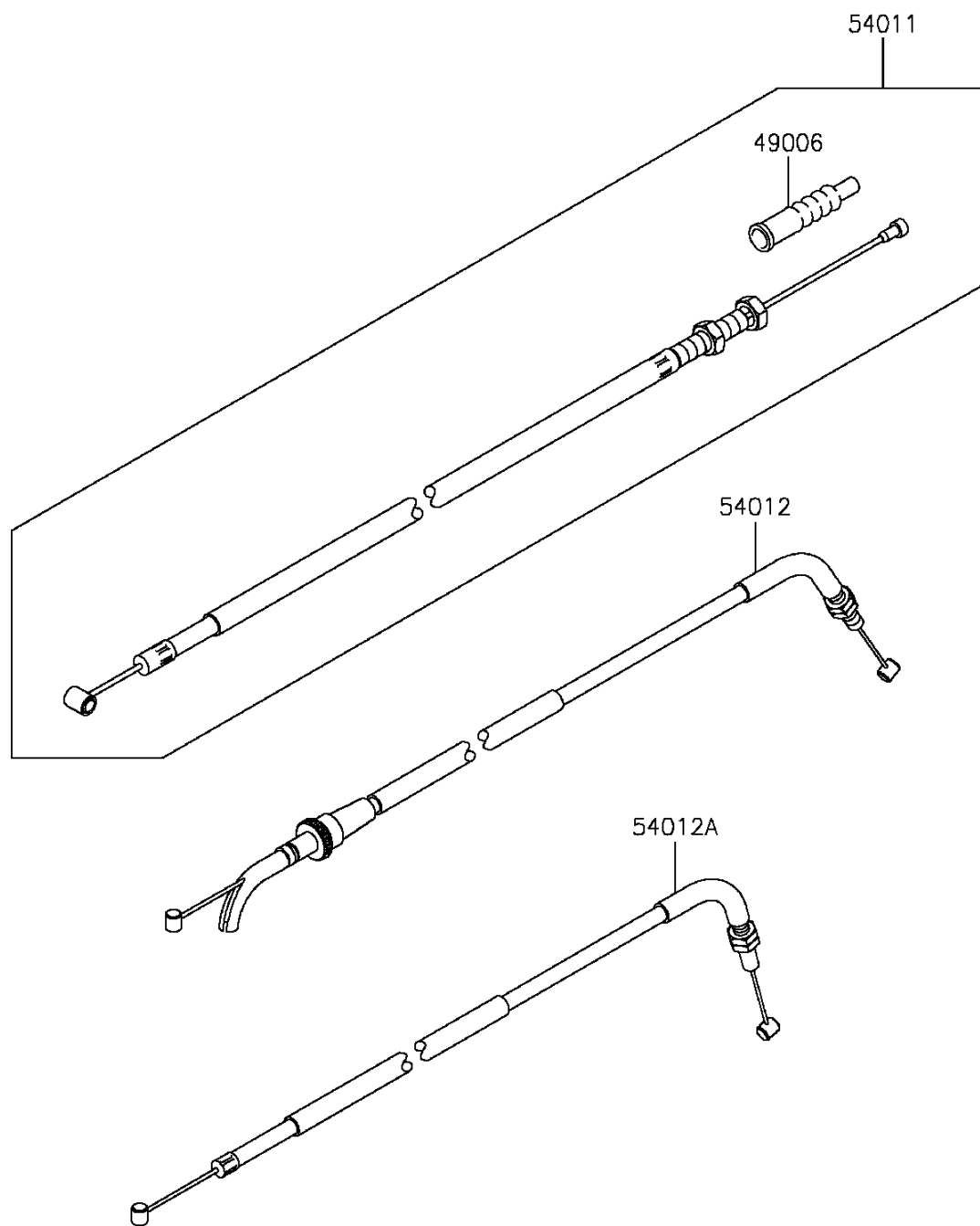


# 2015 Ninja<sup>®</sup> 300

## PARTS DIAGRAM

### Cables

F2540



# 2015 Ninja<sup>®</sup> 300

## PARTS LIST

### Cables

**ITEM NAME**

**PART NUMBER**

**QUANTITY**

---