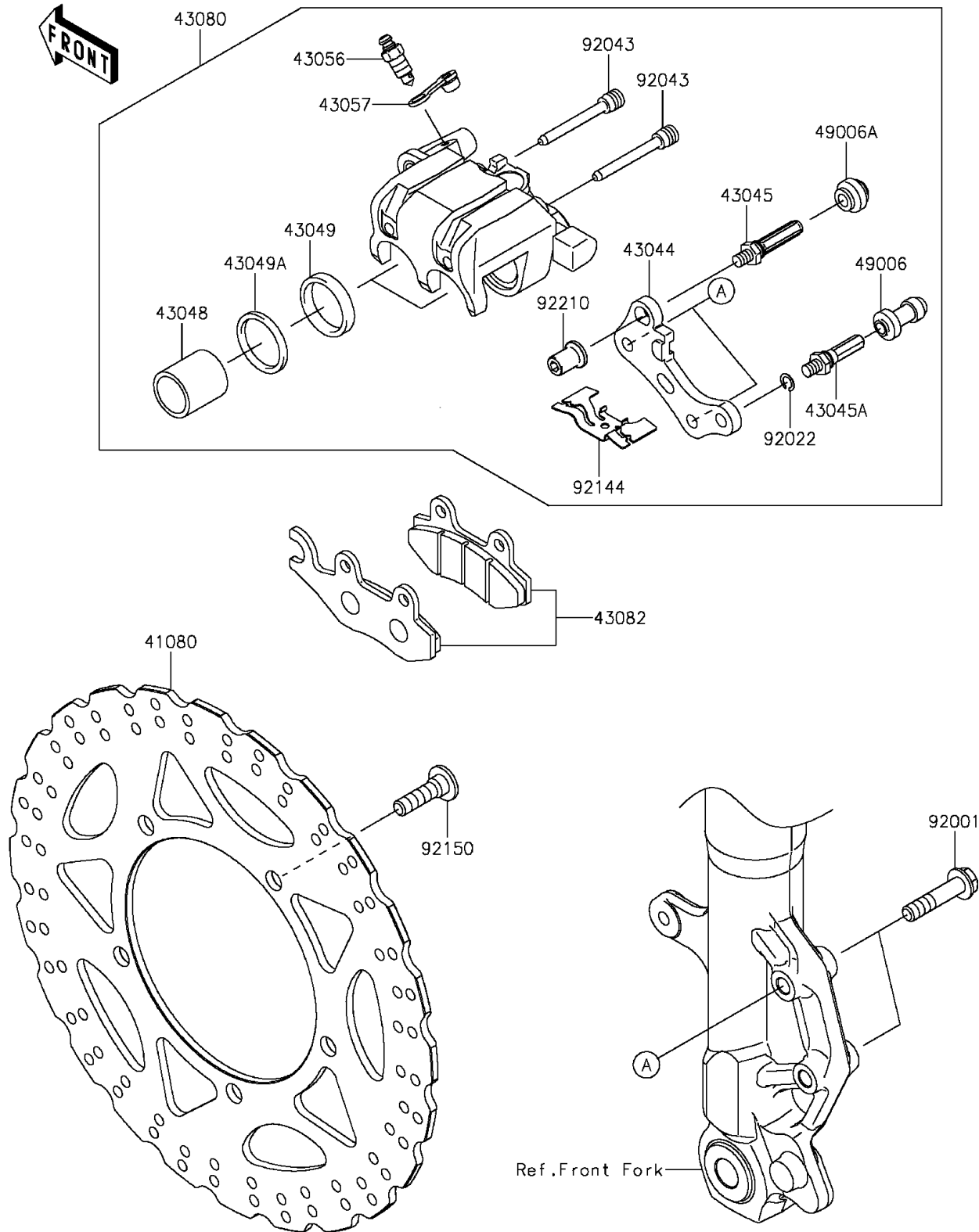


# 2015 NINJA® 300 SE

## PARTS DIAGRAM

### Front Brake

F2292



# 2015 NINJA<sup>®</sup> 300 SE

## PARTS LIST

### Front Brake

**ITEM NAME**

**PART NUMBER**

**QUANTITY**

---