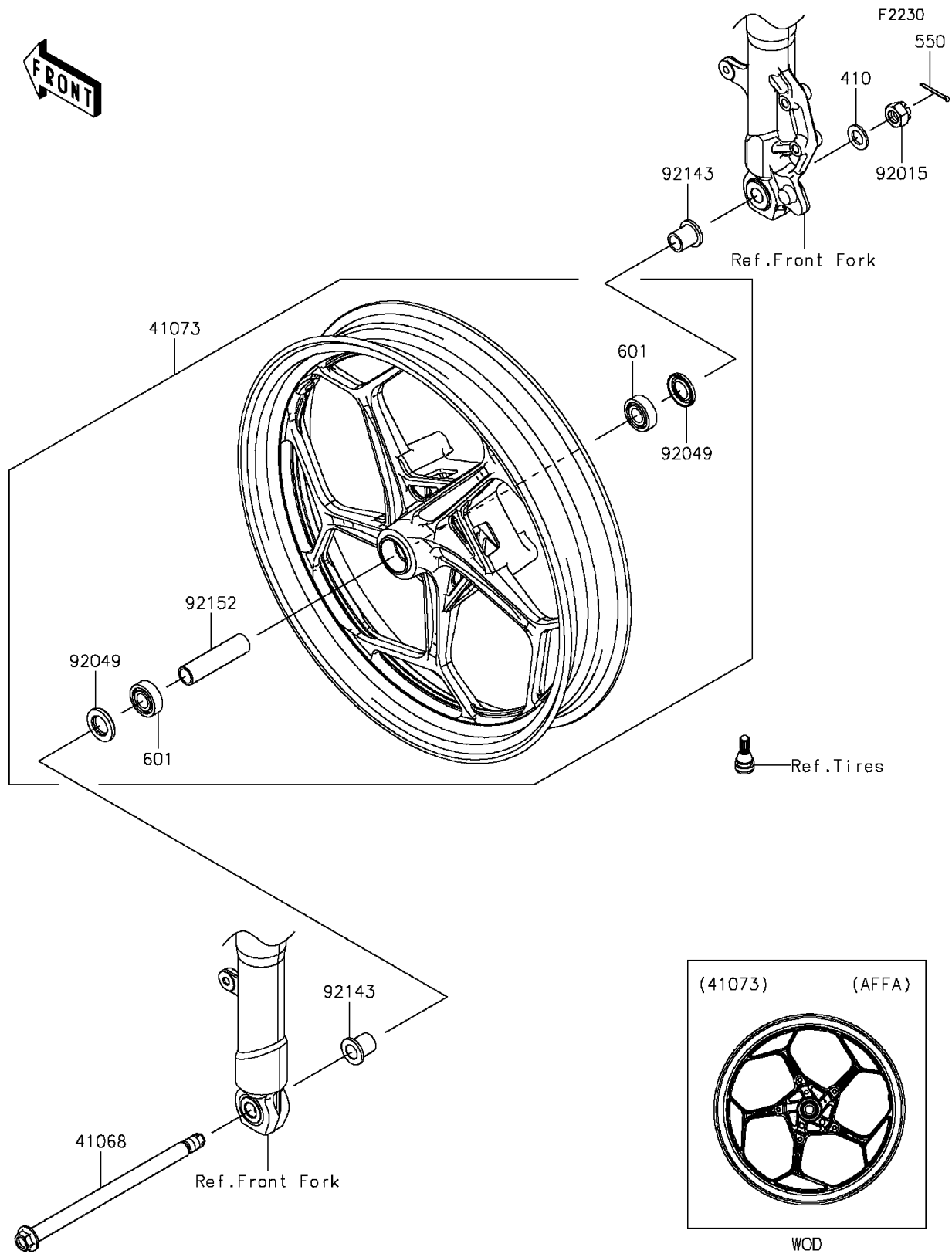


# 2015 NINJA® 300 SE

## PARTS DIAGRAM

### Front Wheel



# 2015 NINJA® 300 SE

## PARTS LIST

### Front Wheel

**ITEM NAME**

**PART NUMBER**

**QUANTITY**

---