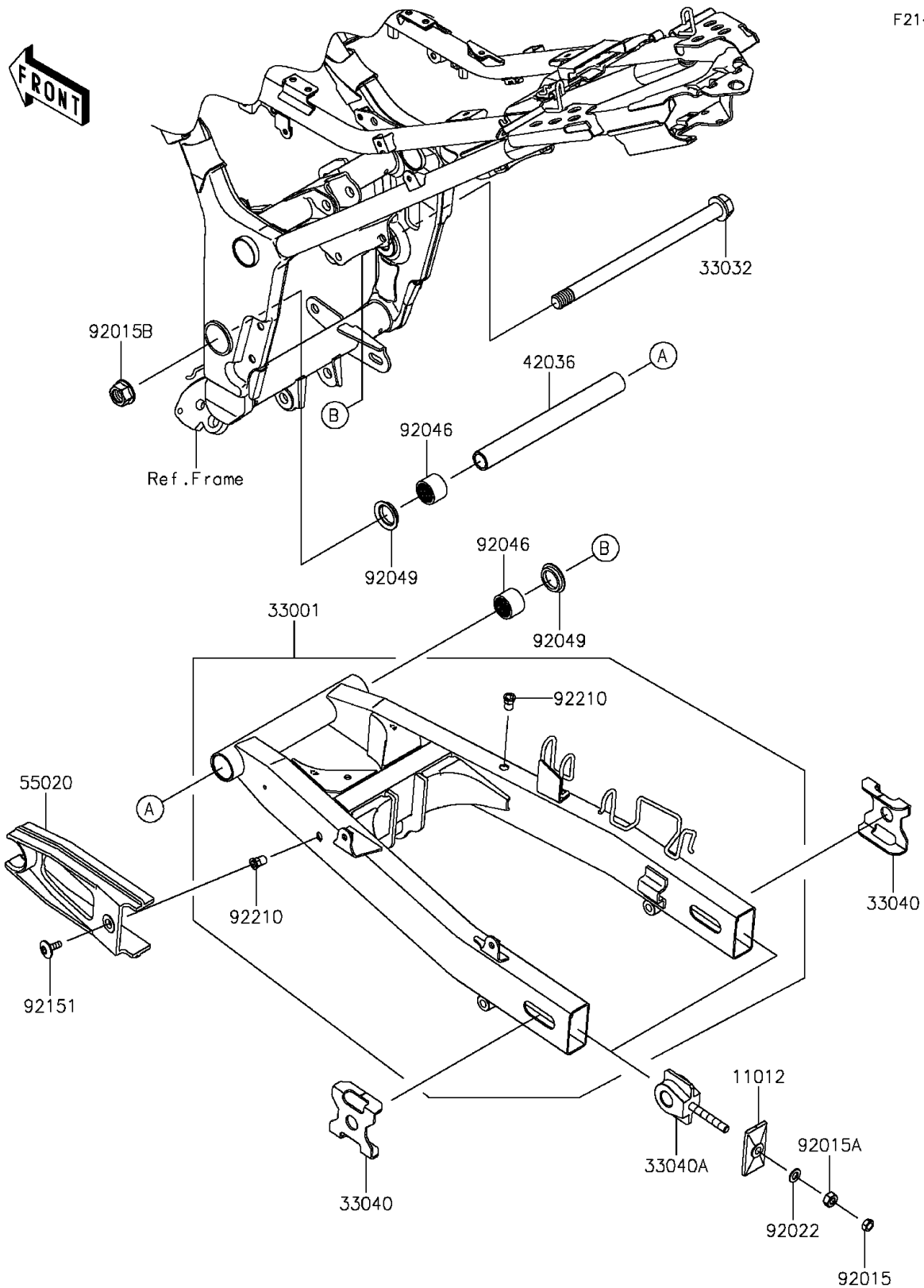


2015 NINJA® 300 SE

PARTS DIAGRAM

Swingarm

F2141



2015 NINJA[®] 300 SE

PARTS LIST

Swingarm

ITEM NAME

PART NUMBER

QUANTITY
