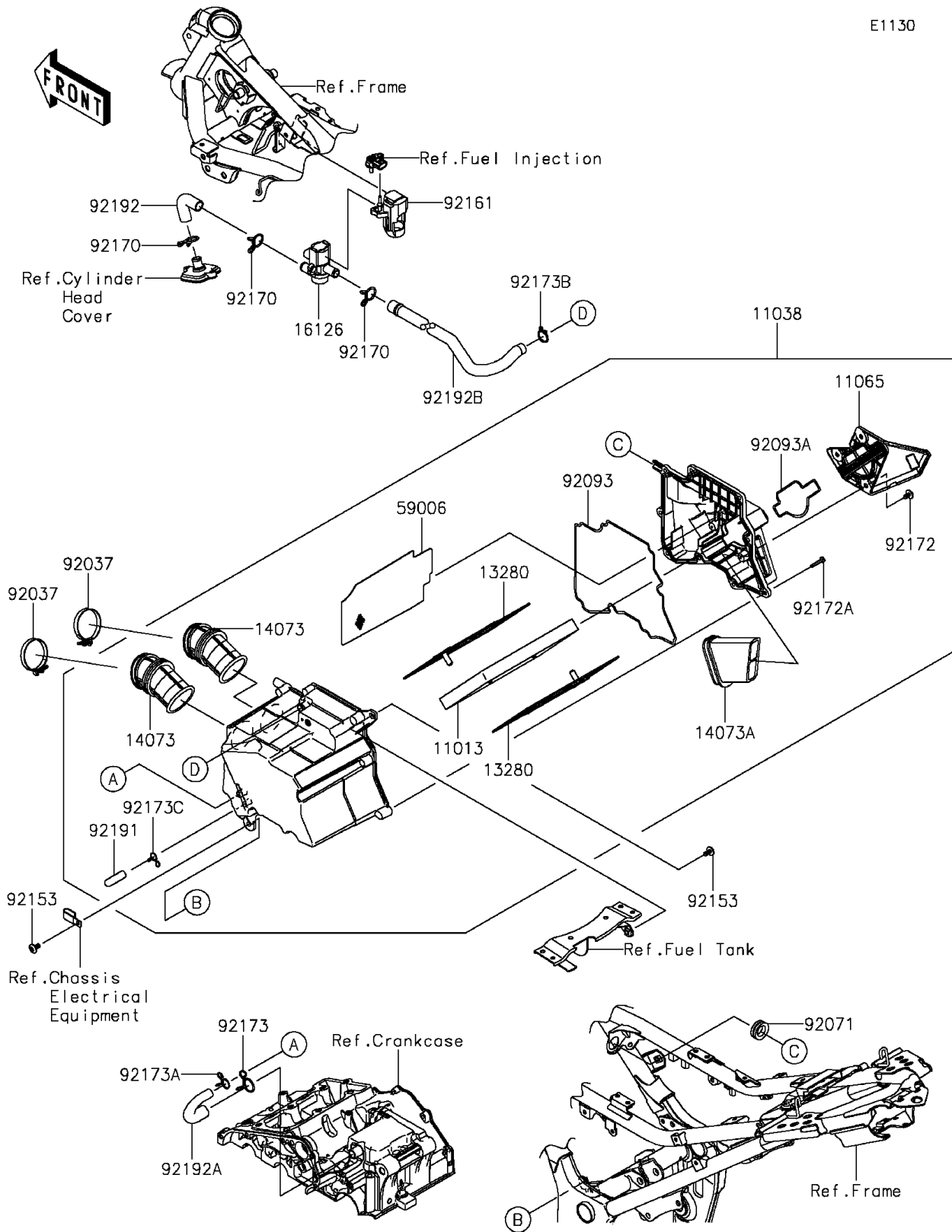


2015 Ninja[®] 300

PARTS DIAGRAM

Air Cleaner

E1130



2015 Ninja[®] 300

PARTS LIST

Air Cleaner

ITEM NAME

PART NUMBER

QUANTITY
