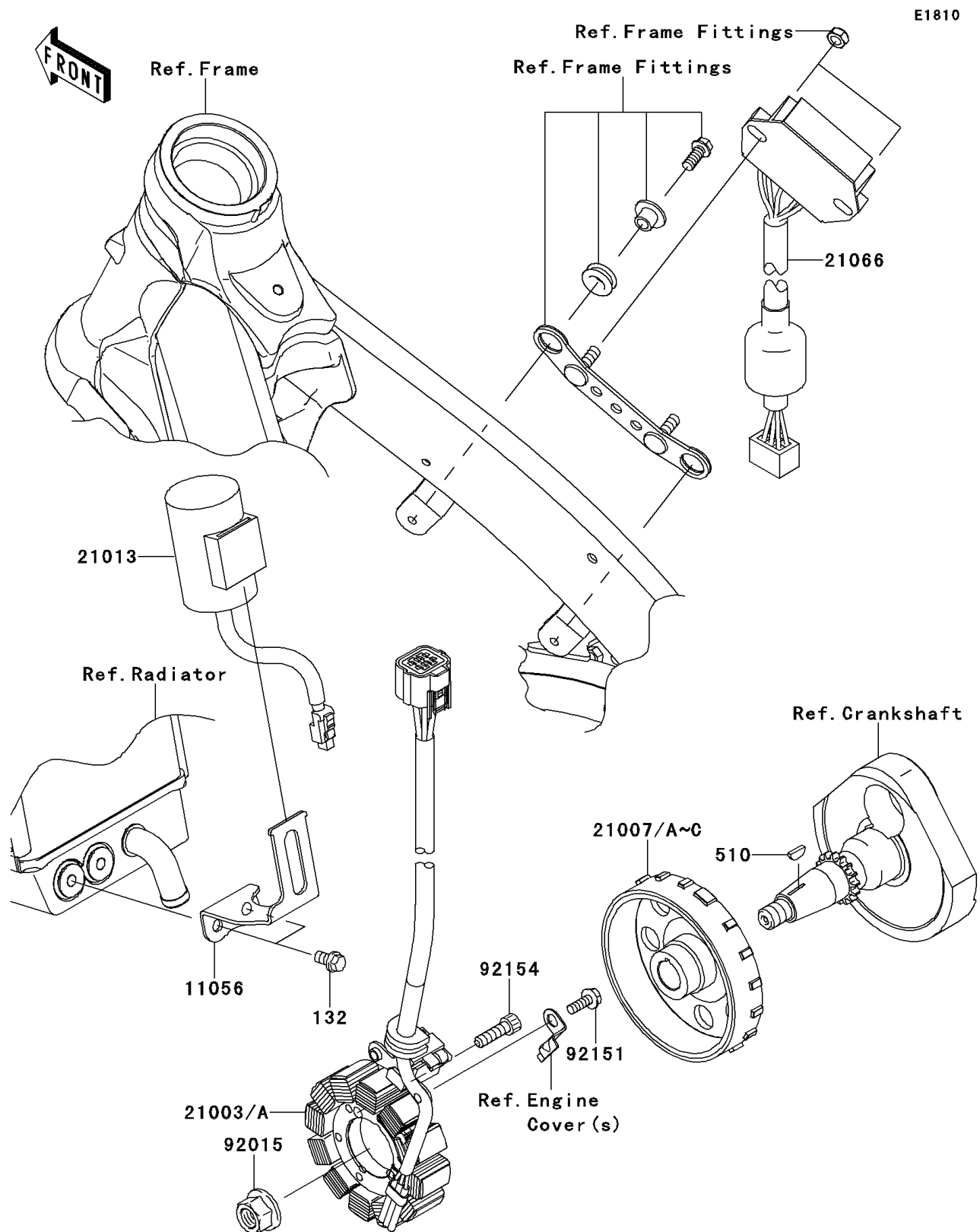


2013 KX™ 250F

PARTS DIAGRAM

Generator



2013 KX™ 250F

PARTS LIST

Generator

ITEM NAME	PART NUMBER	QUANTITY
BOLT-FLANGED-SMALL,6X10 (Ref # 132)	132BA0610	2
KEY-WOODRUFF (Ref # 510)	510A3200	1
BRACKET,CONDENSER (Ref # 11056)	11056-1513	1
STATOR (Ref # 21003)	21003-0102	1
ROTOR,I=9.0 (Ref # 21007)	21007-0155	1
ROTOR,I=8.5 (Ref # 21007A)	21007-0164	1
ROTOR,I=9.5 (Ref # 21007B)	21007-0165	1
CONDENSER (Ref # 21013)	21013-0001	1
REGULATOR-VOLTAGE (Ref # 21066)	21066-0721	1
NUT,12MM (Ref # 92015)	92015-1426	1
BOLT,5X14 (Ref # 92151)	92151-1764	2
BOLT,SOCKET,6X22 (Ref # 92154)	92154-0031	3