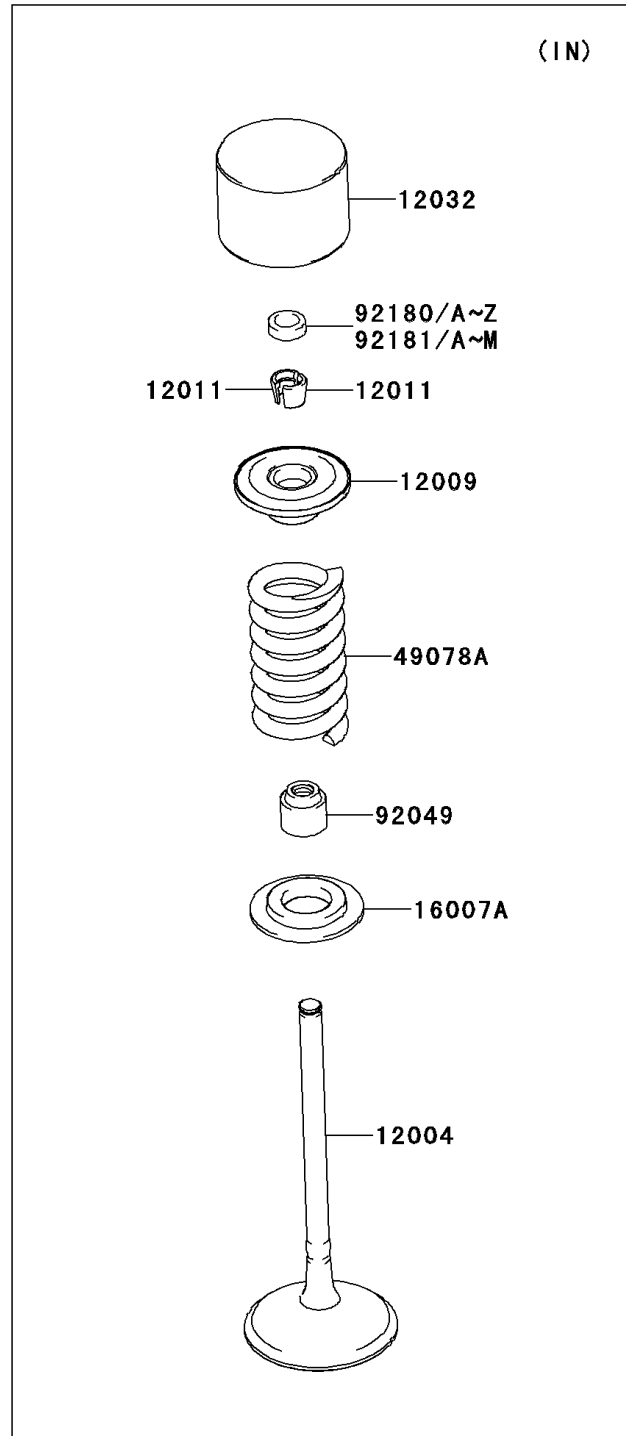
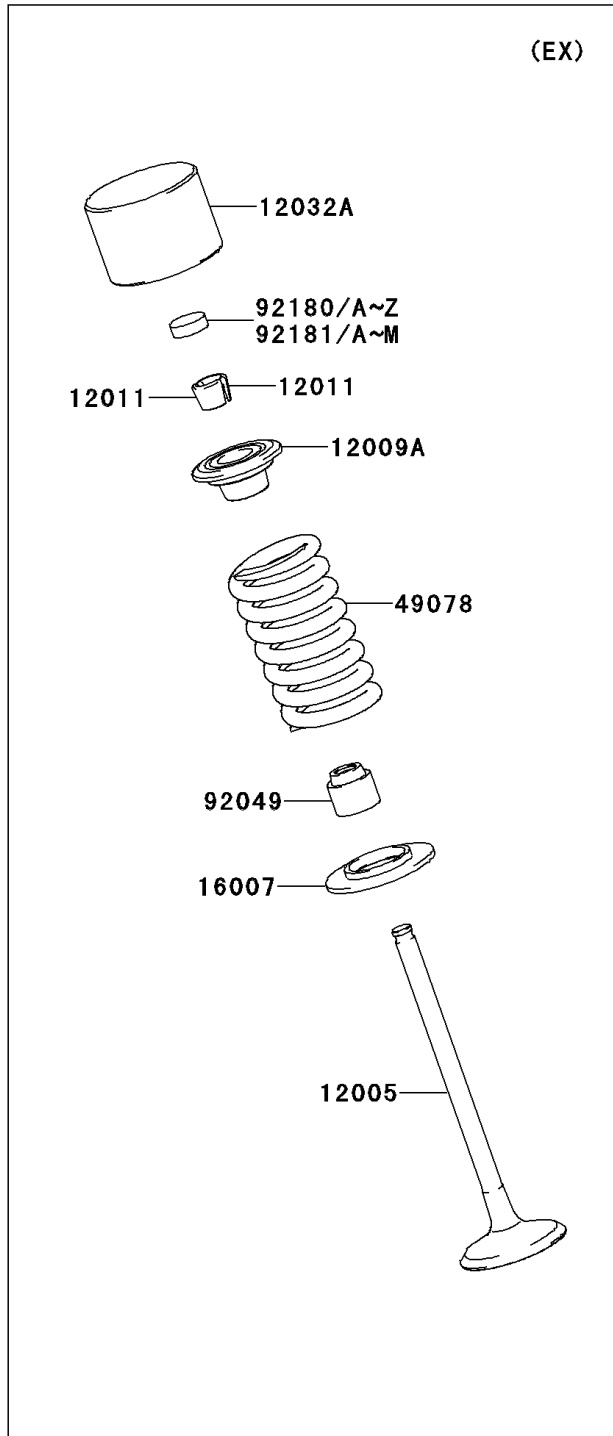


2014 KX™ 250F

PARTS DIAGRAM

Valve(s)

E1210



2014 KX™ 250F

PARTS LIST

Valve(s)

ITEM NAME

PART NUMBER

QUANTITY
