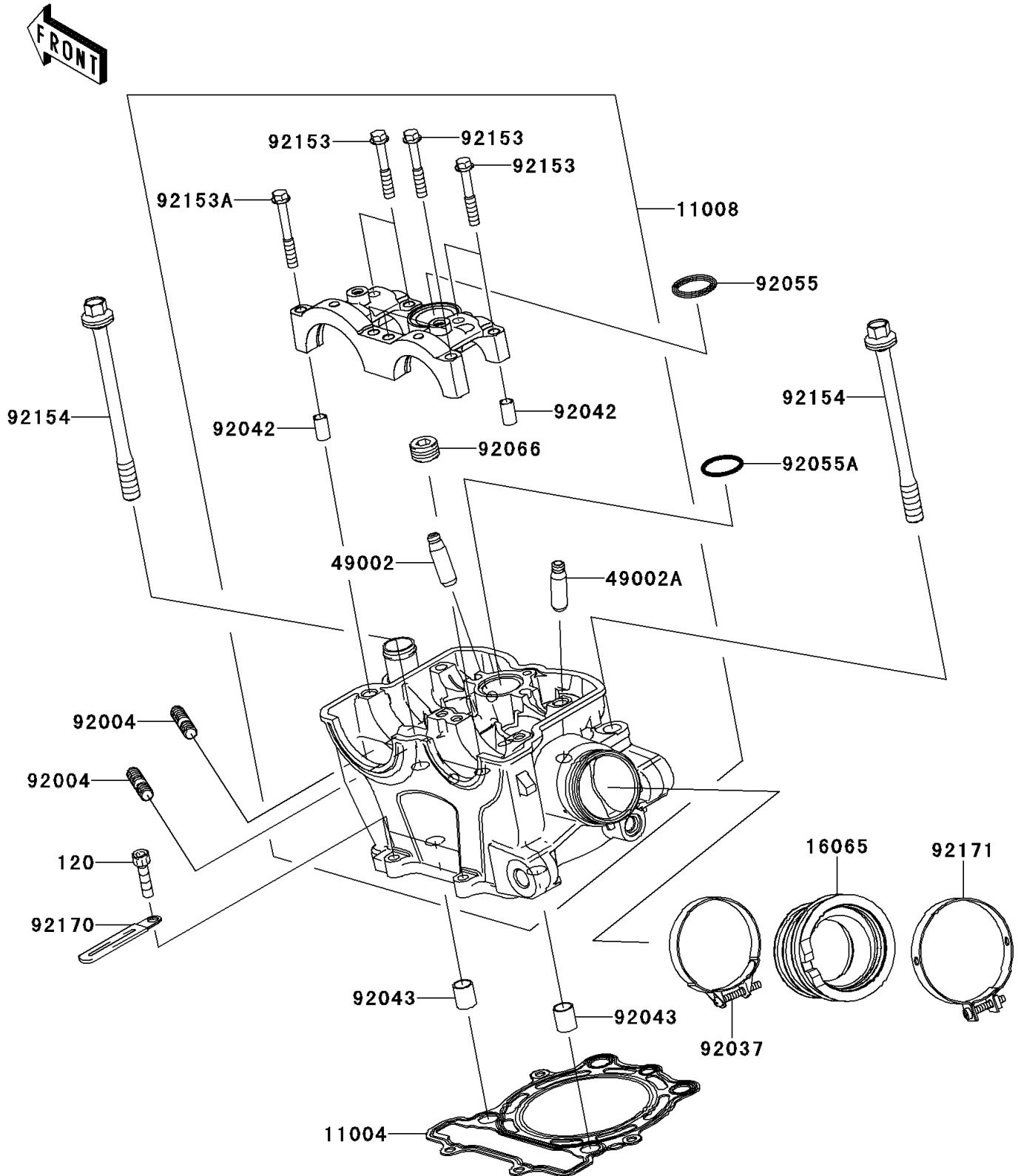


2014 KX™ 250F

PARTS DIAGRAM

Cylinder Head

E1111



2014 KX™ 250F

PARTS LIST

Cylinder Head

ITEM NAME	PART NUMBER	QUANTITY
BOLT-SOCKET,6X25 (Ref # 120)	120CA0625	2
GASKET-HEAD (Ref # 11004)	11004-0079	1
HEAD-COMP-CYLINDER (Ref # 11008)	11008-0750	1
HOLDER-CARBURETOR (Ref # 16065)	16065-0074	1
GUIDE-VALVE (Ref # 49002)	49002-0003	2
GUIDE-VALVE (Ref # 49002A)	49002-0016	2
STUD,8X22 (Ref # 92004)	92004-0025	2
CLAMP (Ref # 92037)	92037-1523	1
PIN,DOWEL,6.3X8X14 (Ref # 92042)	92042-007	2
PIN,10.1X12X14 (Ref # 92043)	92043-4009	2
RING-O,24.7X2.4 (Ref # 92055)	92055-0150	1
RING-O,25X1.9X1.35 (Ref # 92055A)	92055-0729	1
PLUG,10X16.6 (Ref # 92066)	92066-3777	1
BOLT,6X38 (Ref # 92153)	92153-0338	7
BOLT,6X45 (Ref # 92153A)	92153-0339	1
BOLT,FLANGED,10X122 (Ref # 92154)	92154-1094	4
CLAMP (Ref # 92170)	92170-1514	2
CLAMP,62MM (Ref # 92171)	92171-0857	1