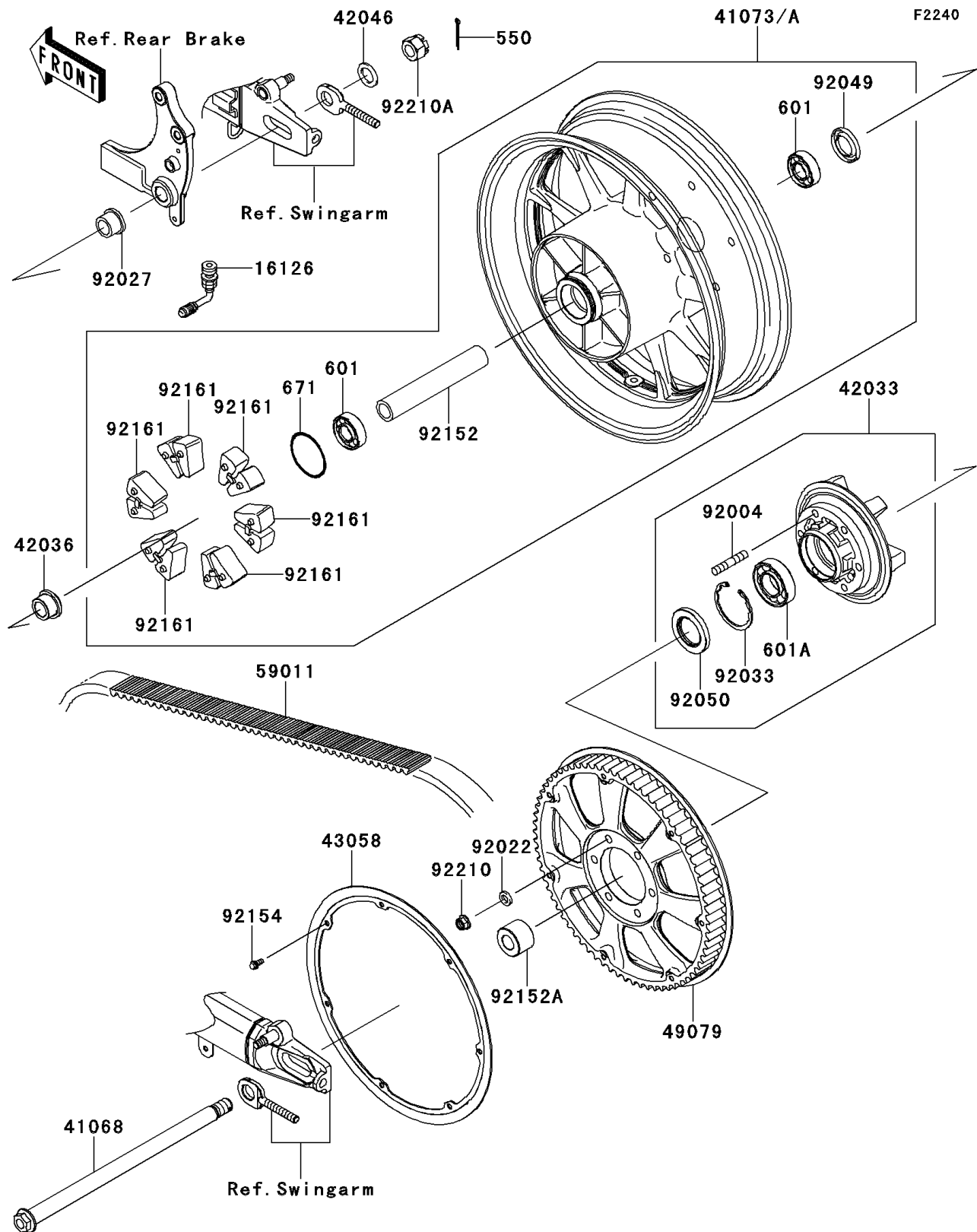


# 2012 VULCAN® 1700 VAQUERO®

## PARTS DIAGRAM

### Rear Wheel/Chain



# 2012 VULCAN® 1700 VAQUERO®

## PARTS LIST

### Rear Wheel/Chain



**ITEM NAME**

**PART NUMBER**

**QUANTITY**

---