

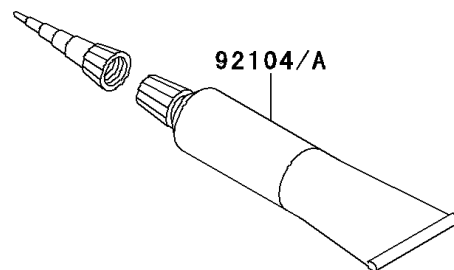
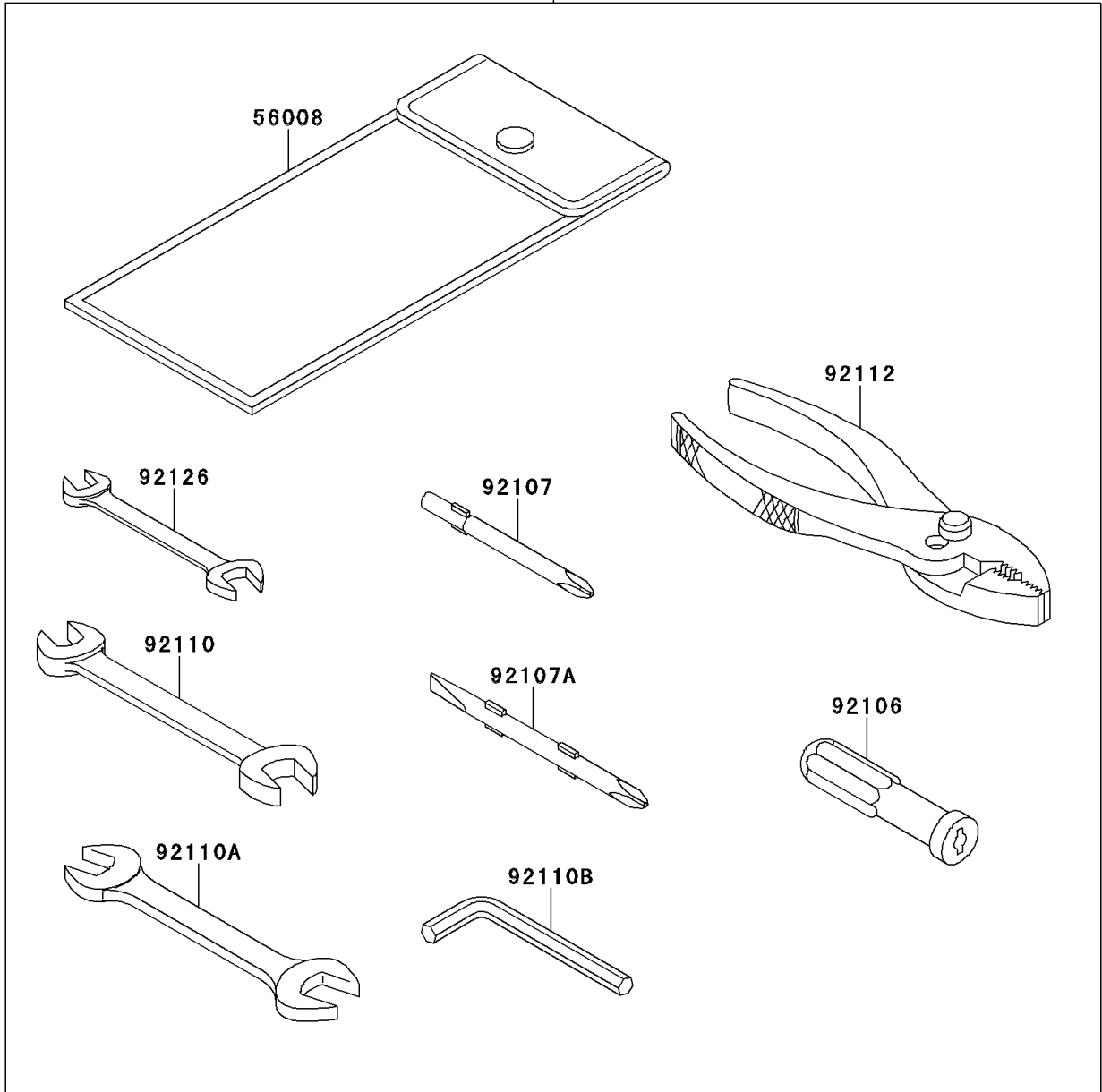
# 2009 Vulcan 1700 Voyager ABS (Canada Only)

## PARTS DIAGRAM

### Owner's Tools(B9F/B9FA)

56007

F2810



# 2009 Vulcan 1700 Voyager ABS (Canada Only)



## PARTS LIST

Owner's Tools(B9F/B9FA)

ITEM NAME	PART NUMBER	QUANTITY
-----------	-------------	----------

---