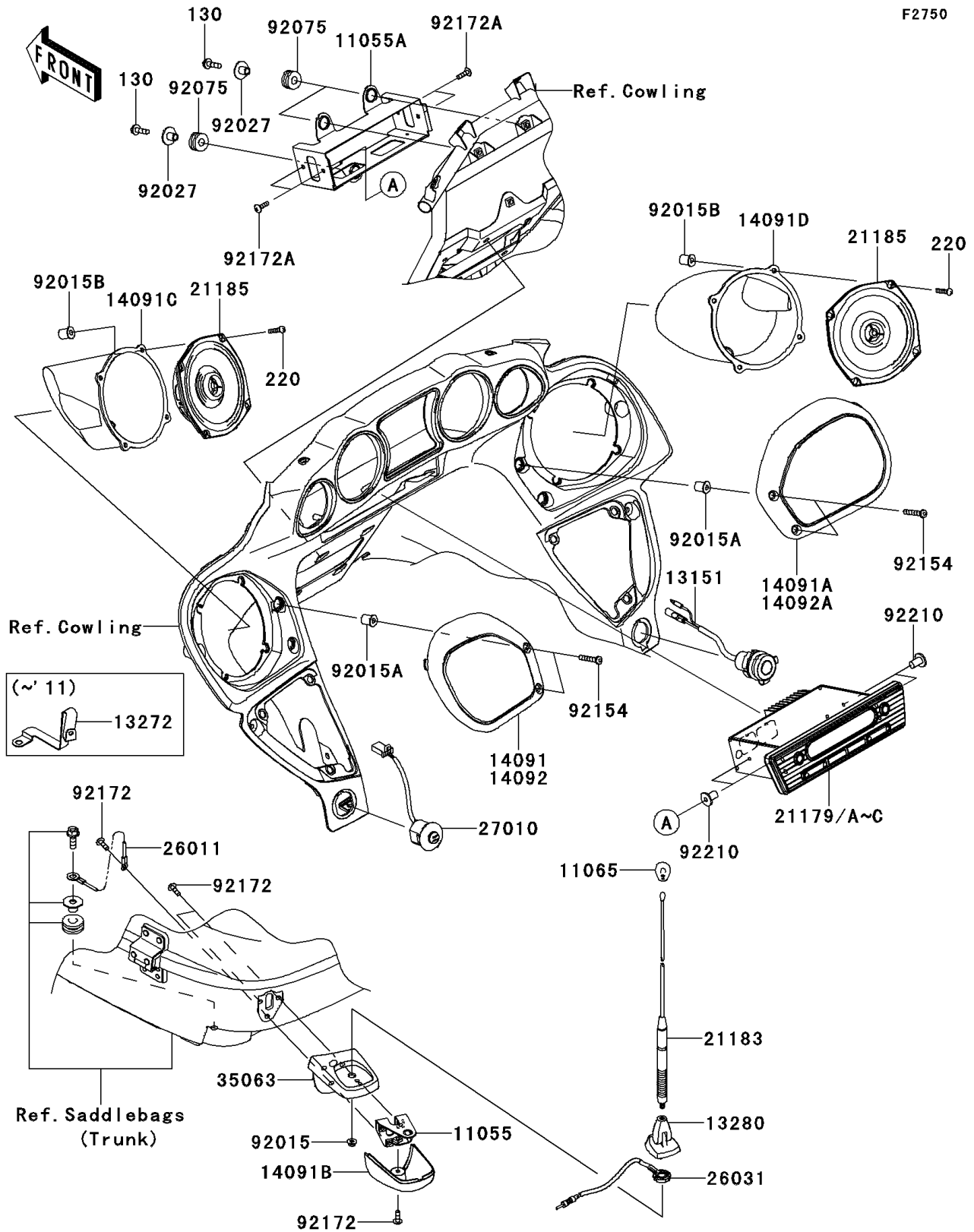


# 2009 Vulcan 1700 Voyager ABS (Canada Only)

## PARTS DIAGRAM

Other(Audio)



# 2009 Vulcan 1700 Voyager ABS (Canada Only)



## PARTS LIST

Other(Audio)

**ITEM NAME**

**PART NUMBER**

**QUANTITY**

---