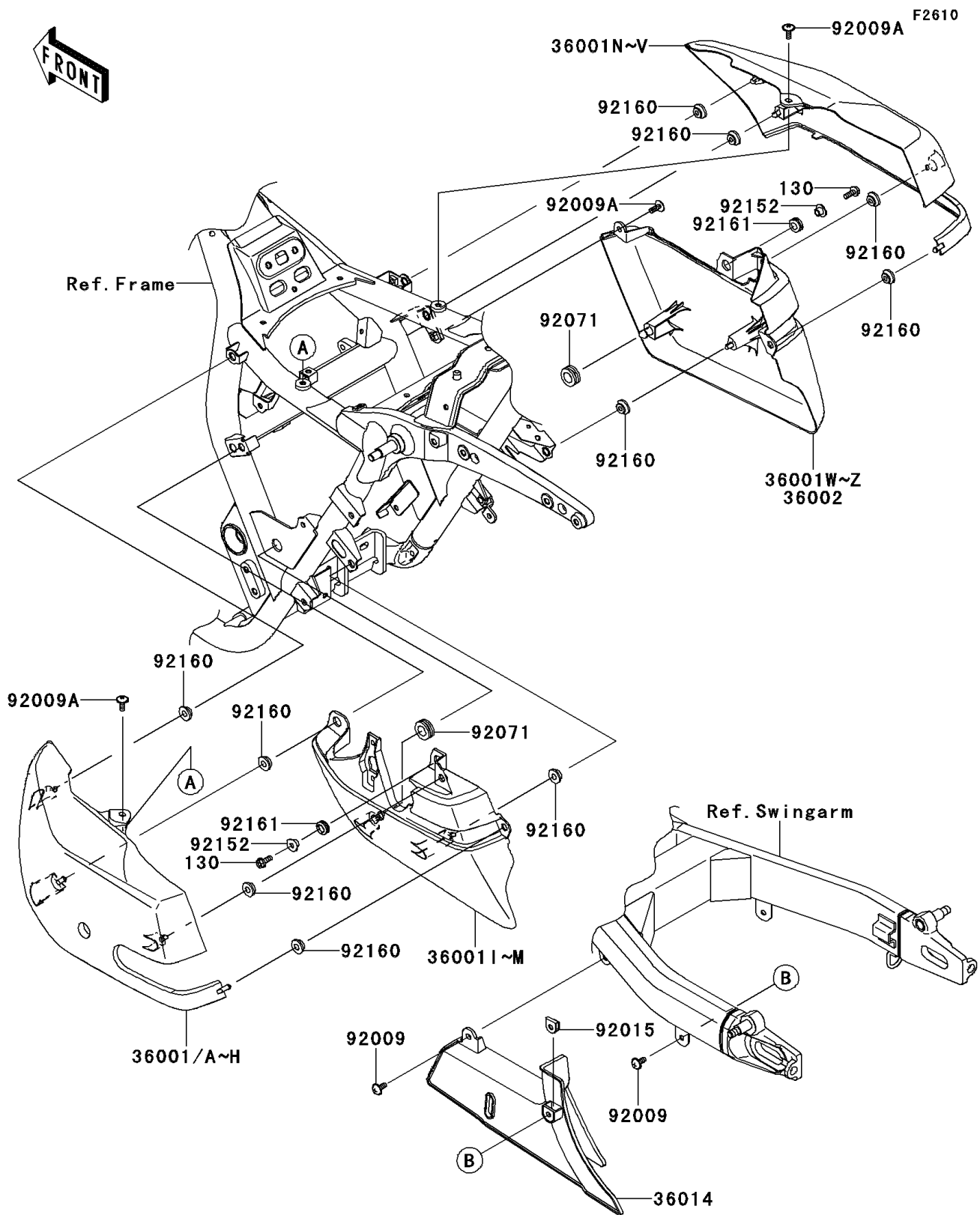


2009 Vulcan 1700 Voyager ABS (Canada Only)

PARTS DIAGRAM

Side Covers/Chain Cover



2009 Vulcan 1700 Voyager ABS (Canada Only)



PARTS LIST

Side Covers/Chain Cover

ITEM NAME	PART NUMBER	QUANTITY
-----------	-------------	----------
