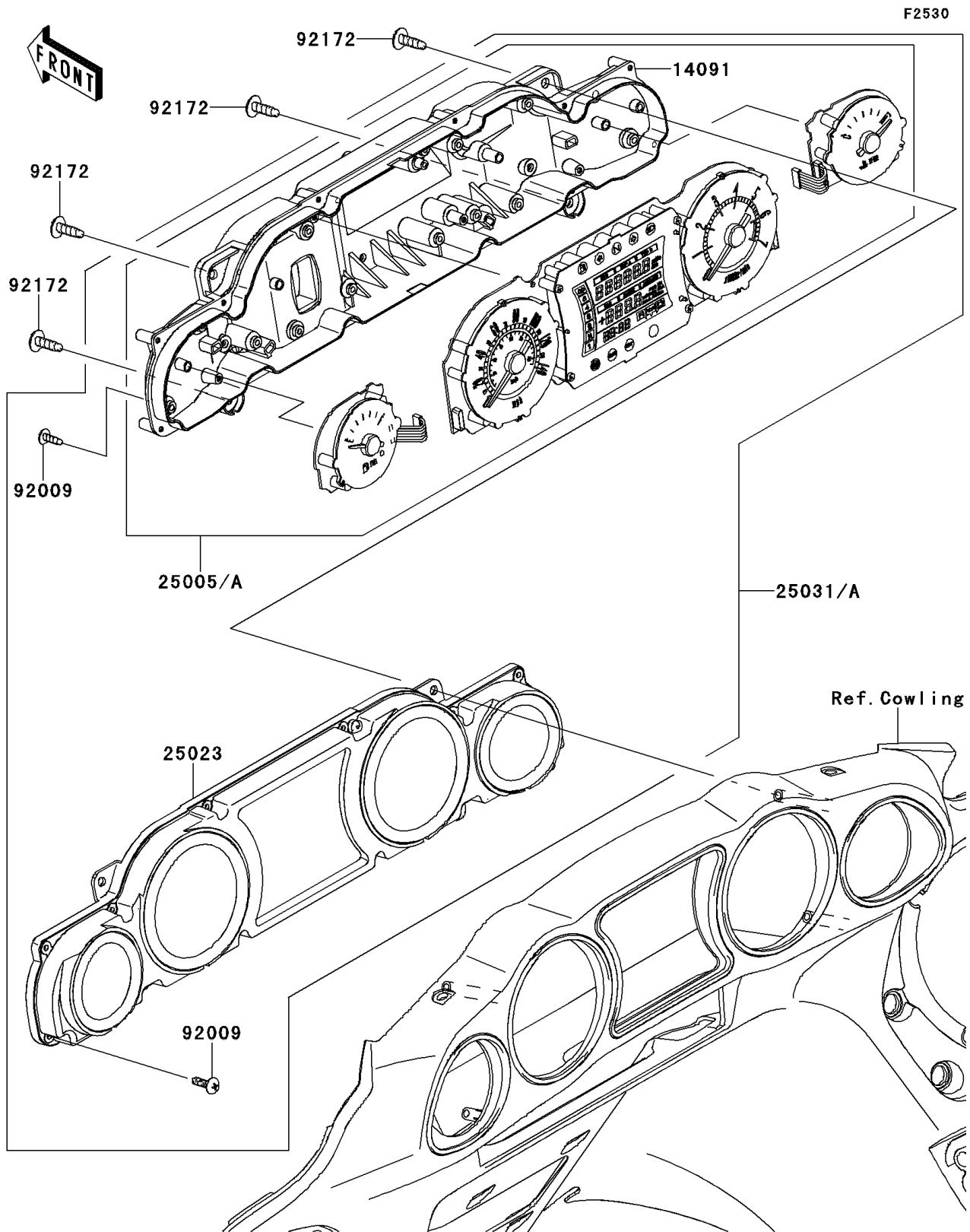


# 2009 Vulcan 1700 Voyager ABS (Canada Only)

## PARTS DIAGRAM Meter(s)(B9F-BAF)



# 2009 Vulcan 1700 Voyager ABS (Canada Only)



## PARTS LIST

Meter(s)(B9F-BAF)

ITEM NAME	PART NUMBER	QUANTITY
-----------	-------------	----------

---