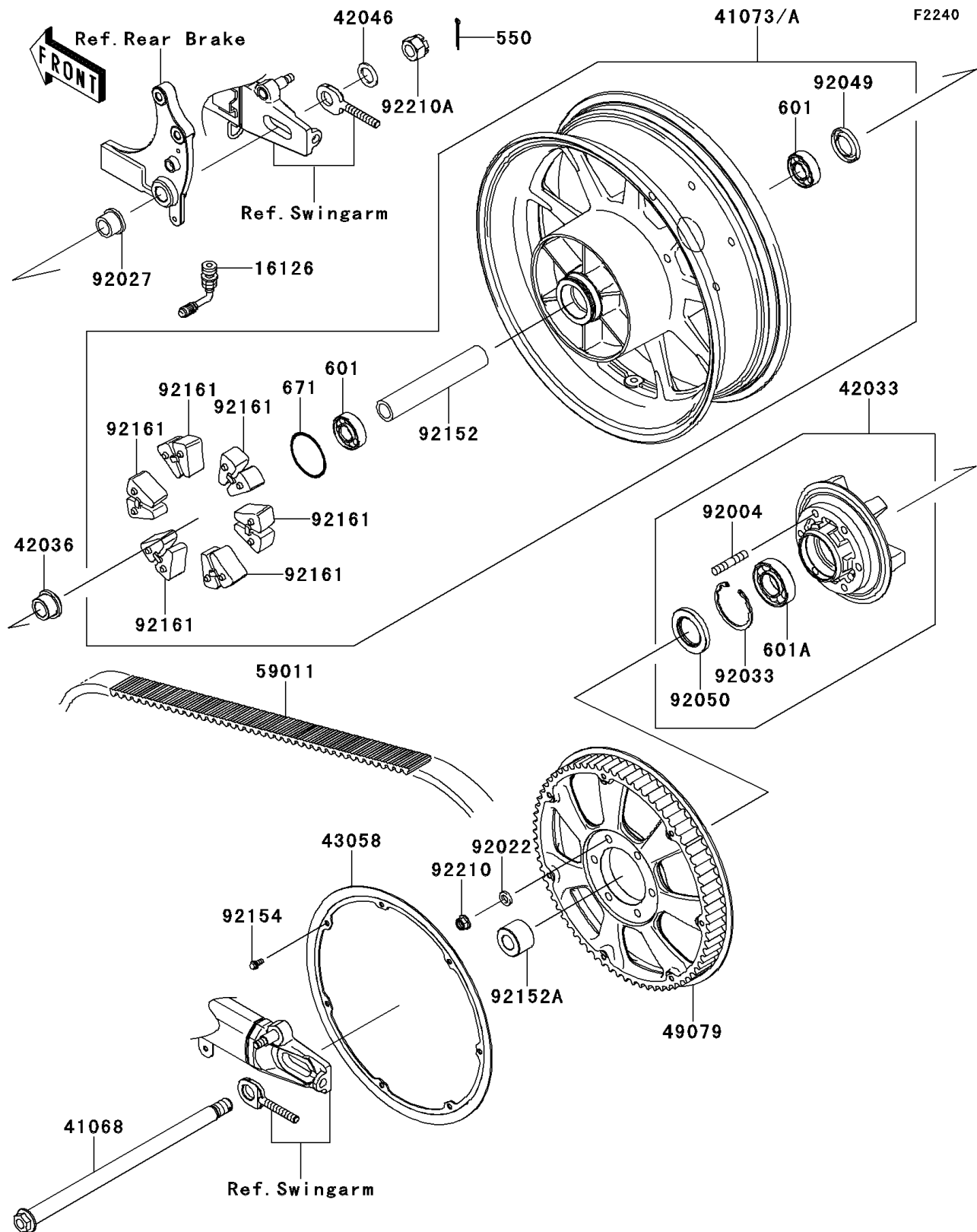


2009 Vulcan 1700 Voyager ABS (Canada Only)

PARTS DIAGRAM

Rear Wheel/Chain



2009 Vulcan 1700 Voyager ABS (Canada Only)



PARTS LIST

Rear Wheel/Chain

ITEM NAME	PART NUMBER	QUANTITY
-----------	-------------	----------
