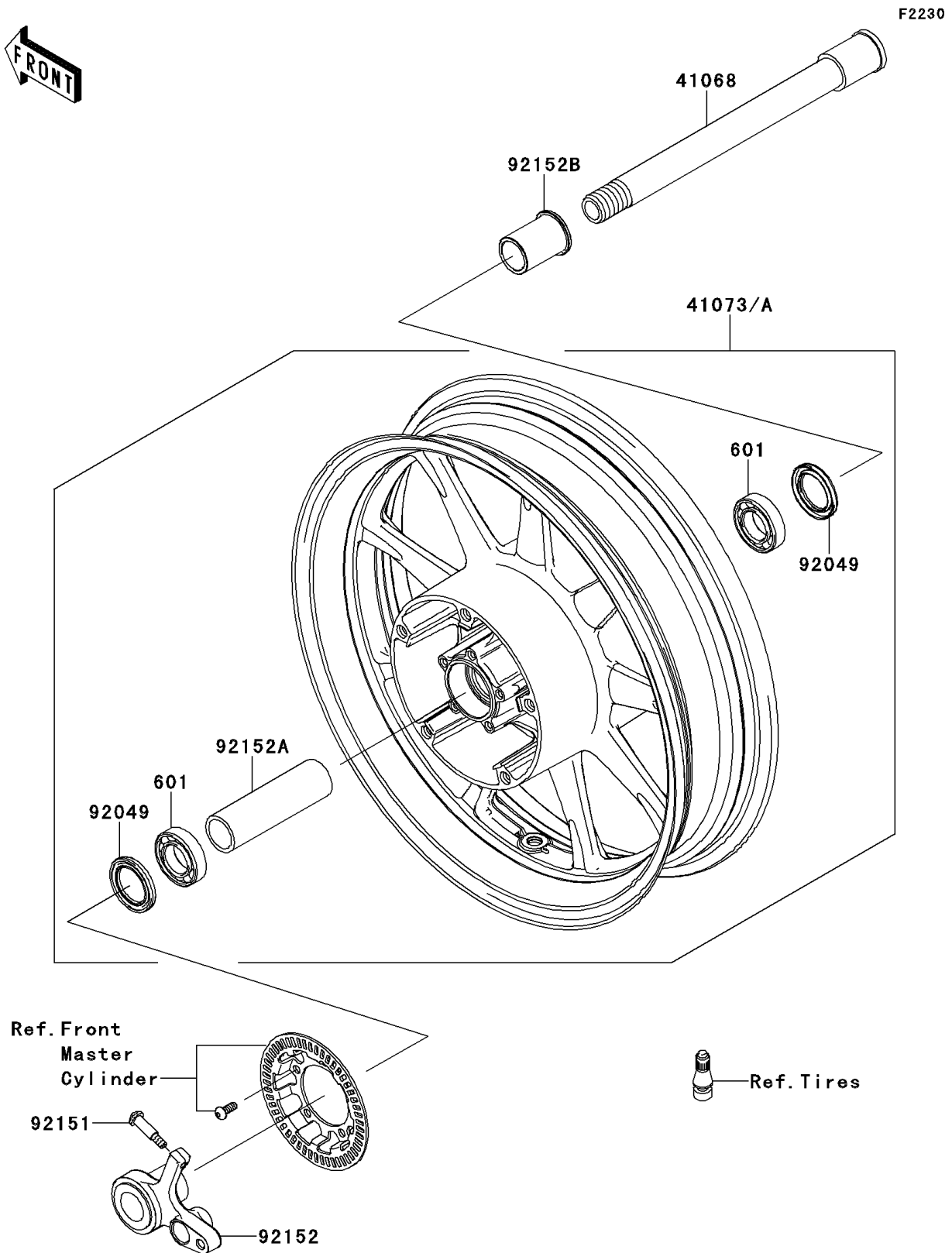


2009 Vulcan 1700 Voyager ABS (Canada Only)

PARTS DIAGRAM

Front Wheel



2009 Vulcan 1700 Voyager ABS (Canada Only)



PARTS LIST

Front Wheel

ITEM NAME	PART NUMBER	QUANTITY
-----------	-------------	----------
