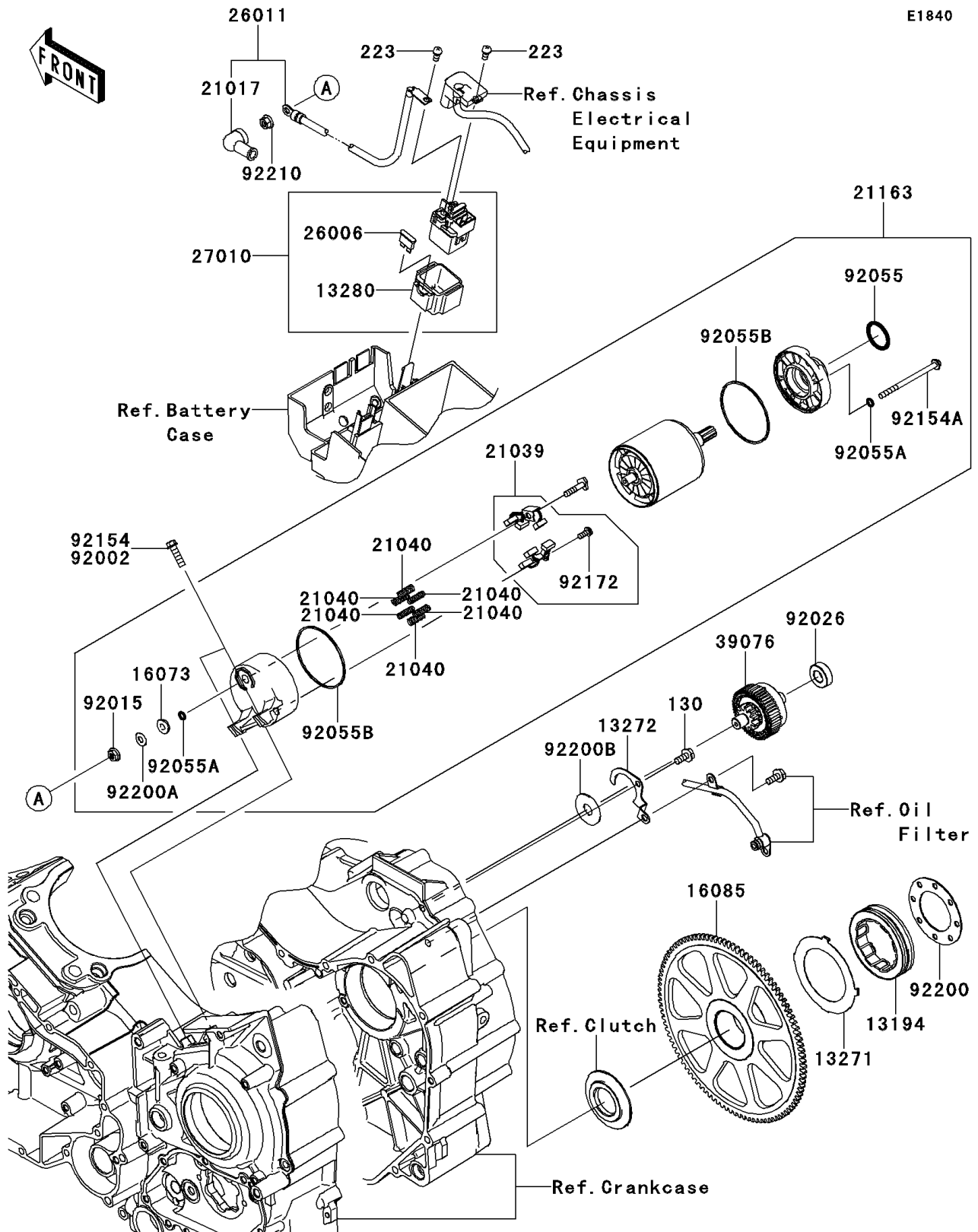


# 2009 Vulcan 1700 Voyager ABS (Canada Only)

## PARTS DIAGRAM

### Starter Motor



# 2009 Vulcan 1700 Voyager ABS (Canada Only)



## PARTS LIST

### Starter Motor

ITEM NAME	PART NUMBER	QUANTITY
-----------	-------------	----------

---