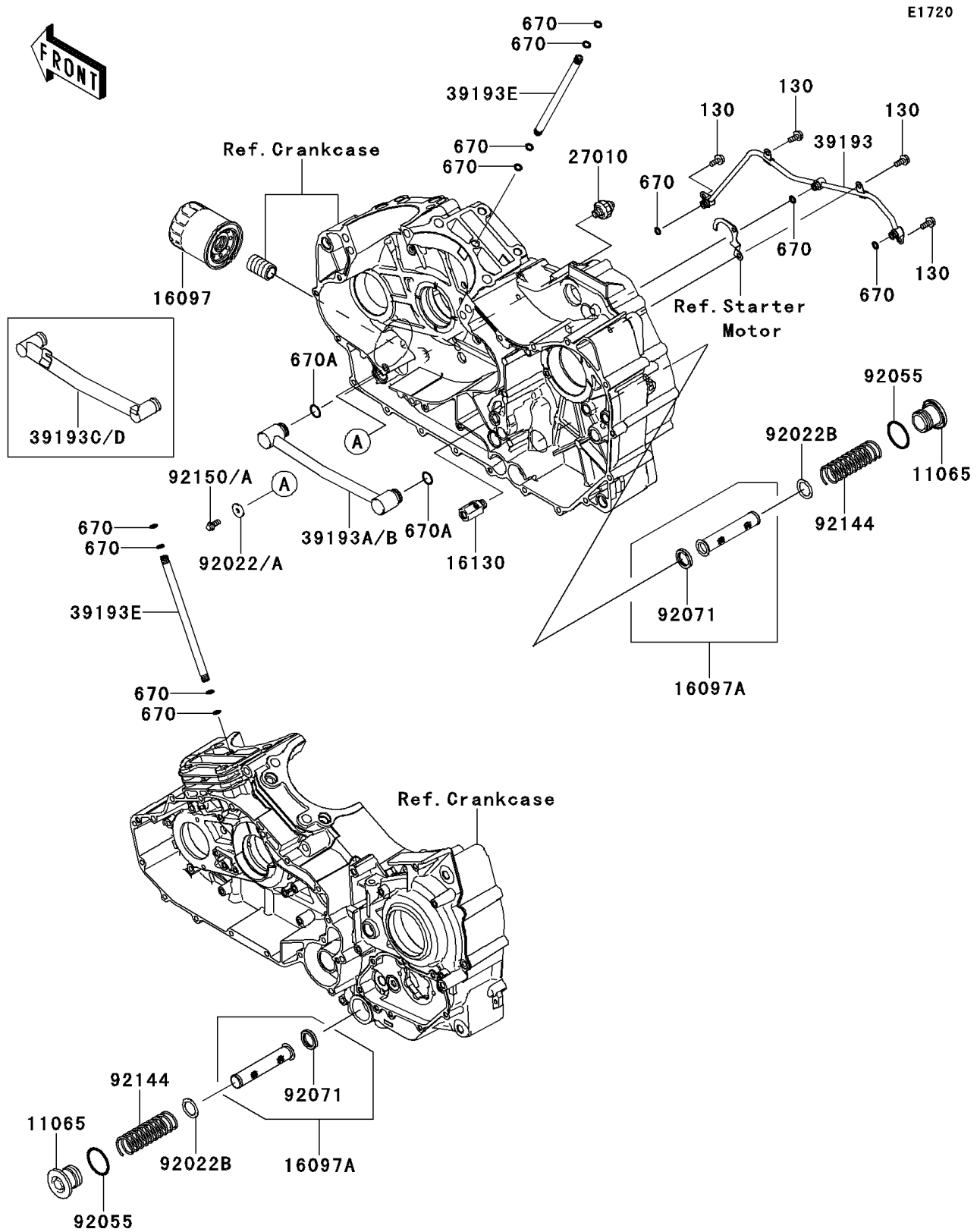


# 2009 Vulcan 1700 Voyager ABS (Canada Only)

## PARTS DIAGRAM

### Oil Filter



# 2009 Vulcan 1700 Voyager ABS (Canada Only)



## PARTS LIST

Oil Filter

| ITEM NAME | PART NUMBER | QUANTITY |
|-----------|-------------|----------|
|-----------|-------------|----------|

---